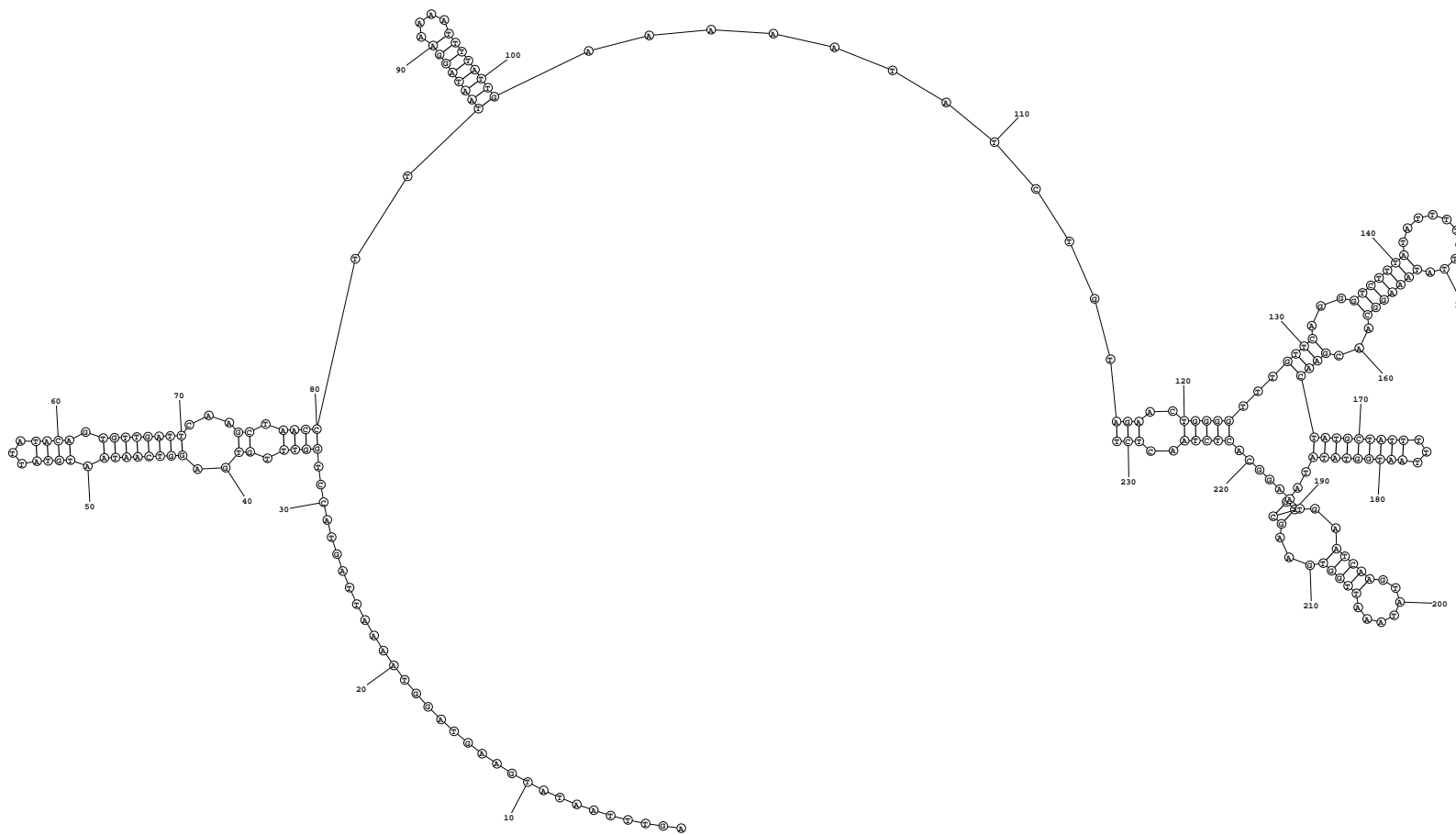
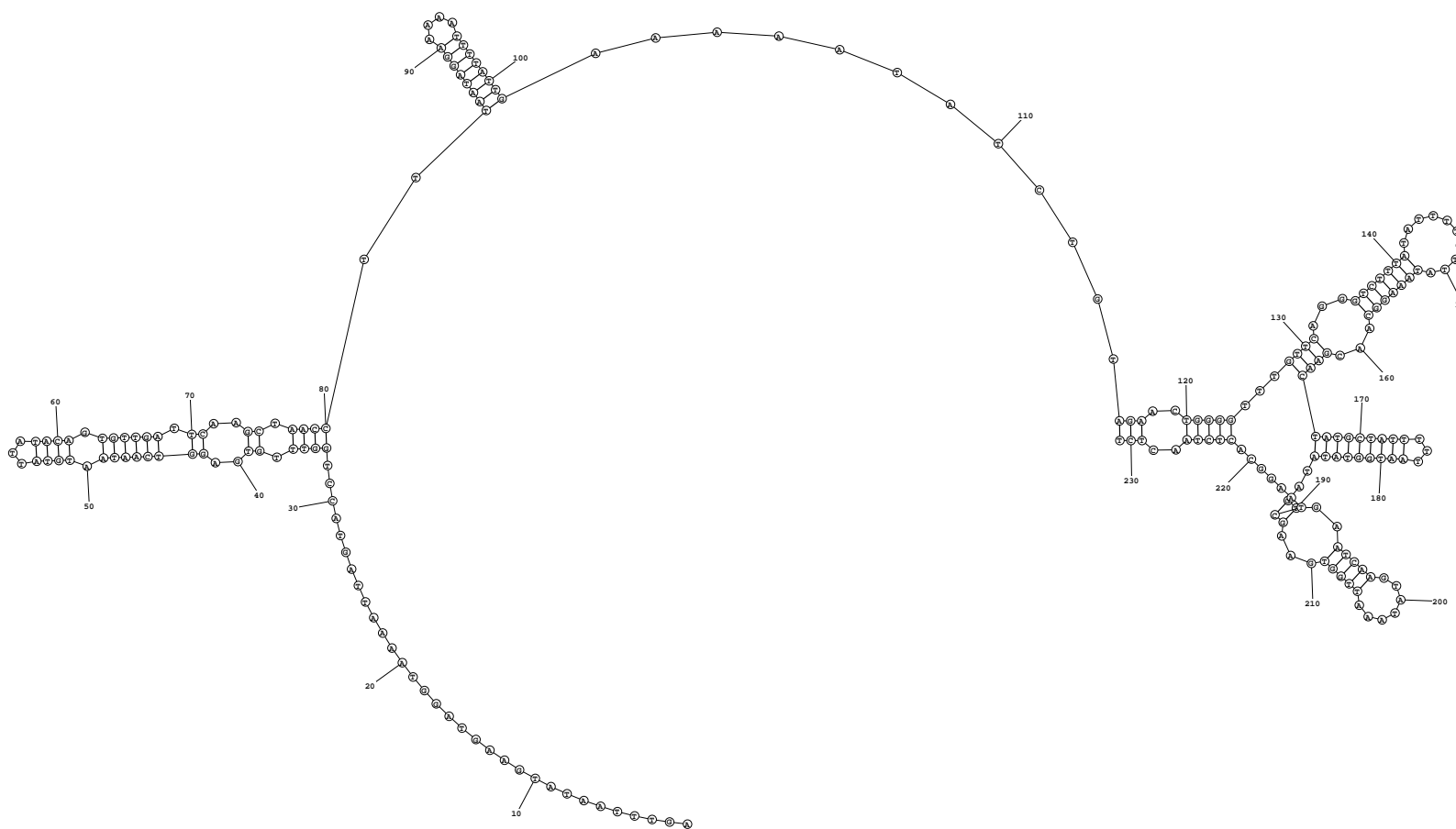


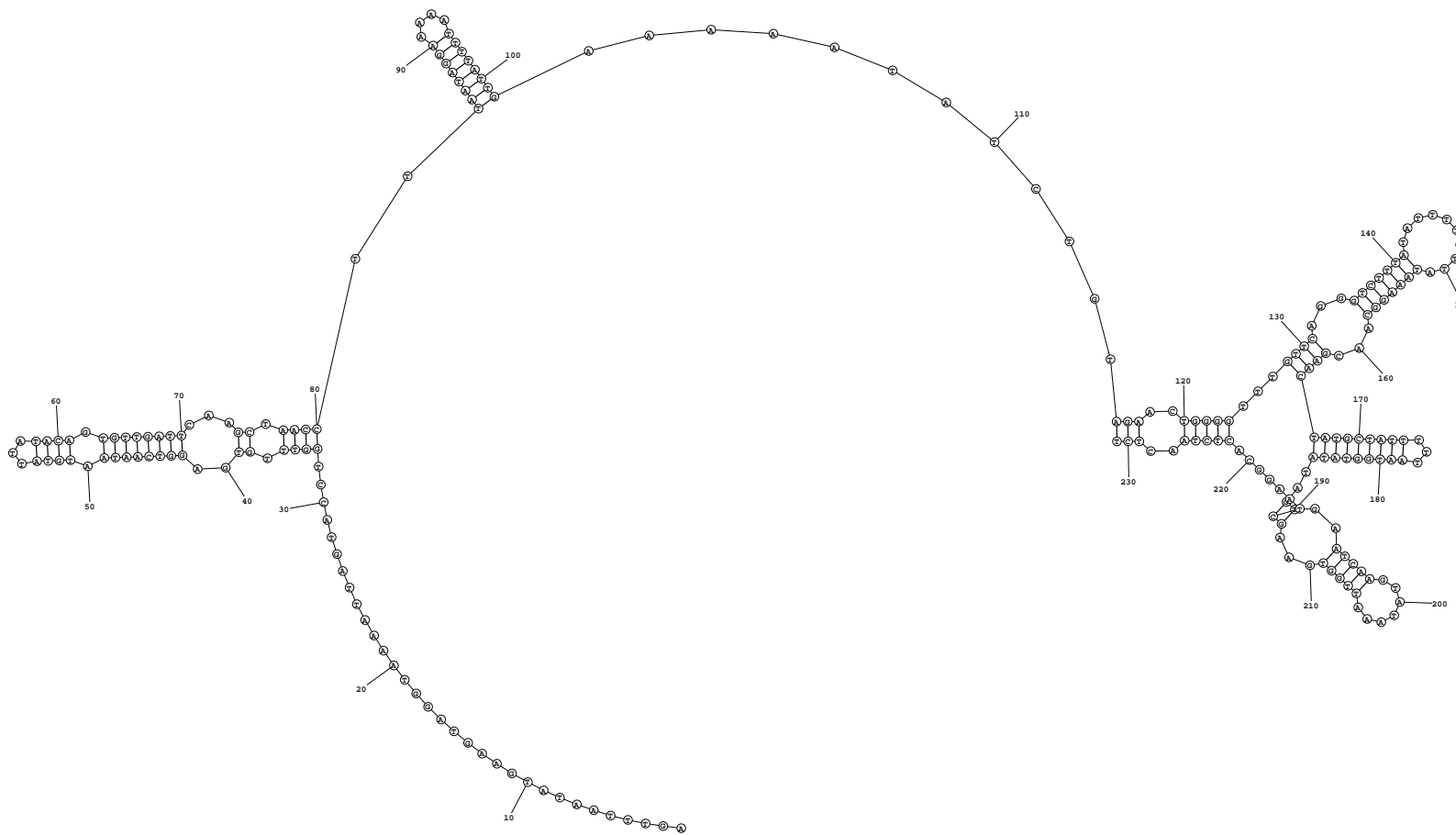
**ENERGY = -32.6 seq4**



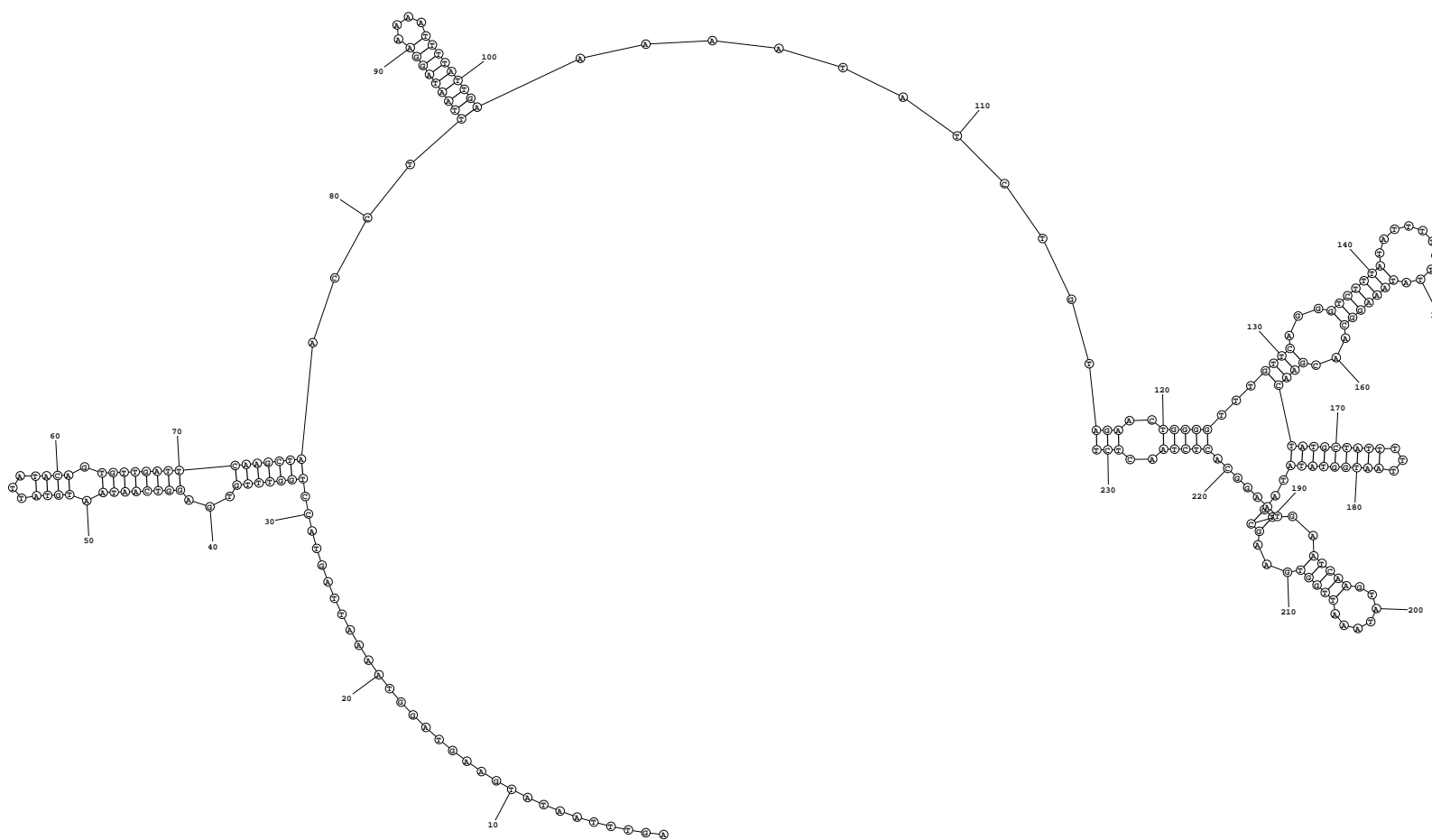
**ENERGY = -32.6 seq4**



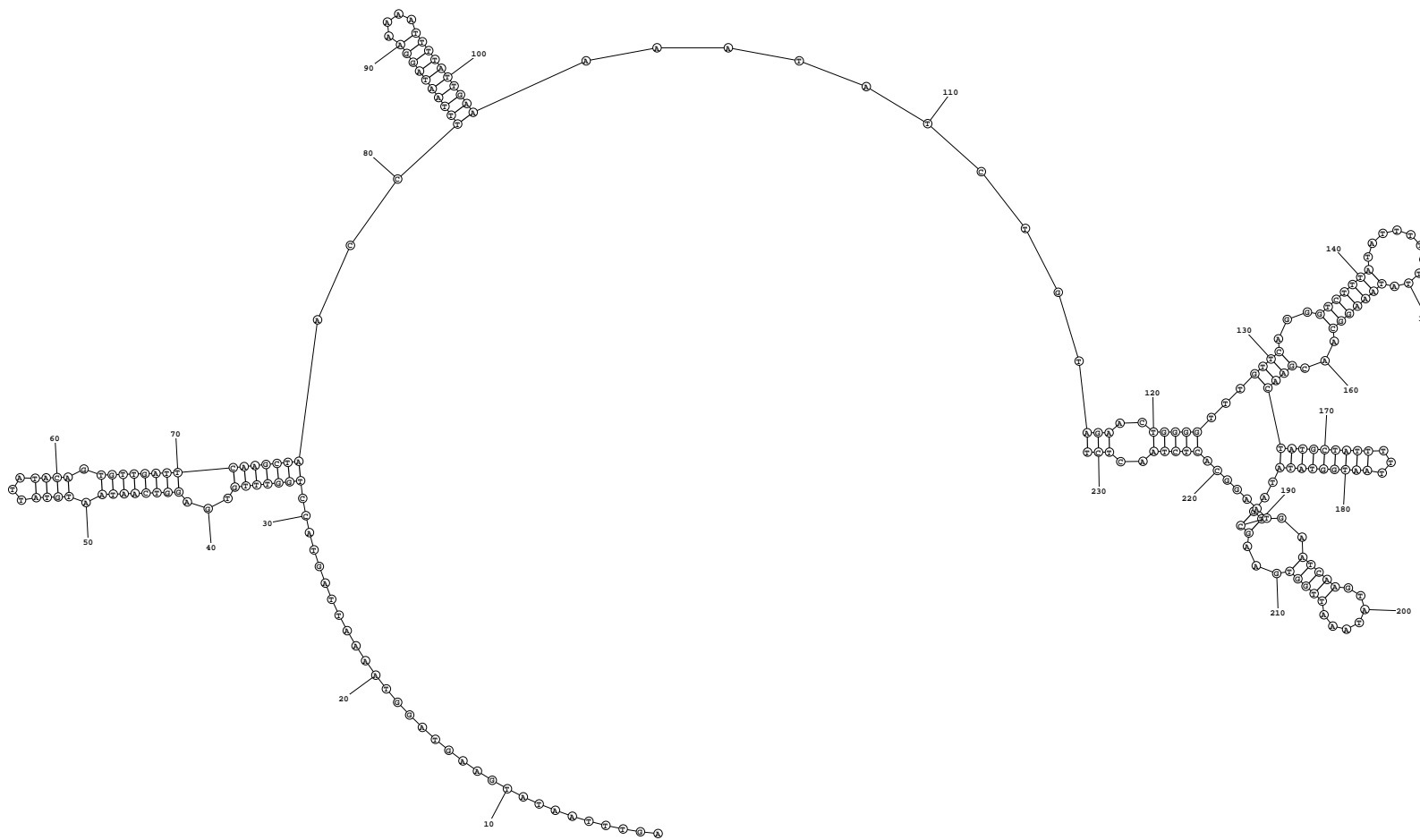
**ENERGY = -32.5 seq4**



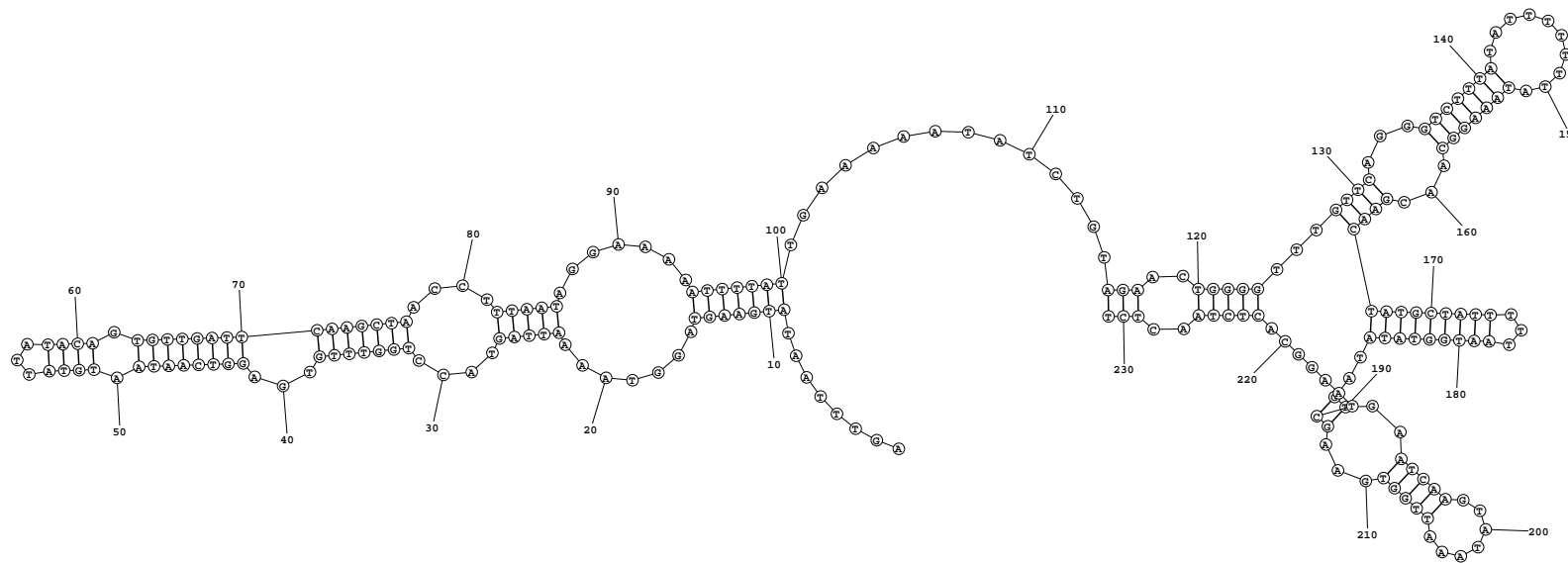
**ENERGY = -32.6 seq4**



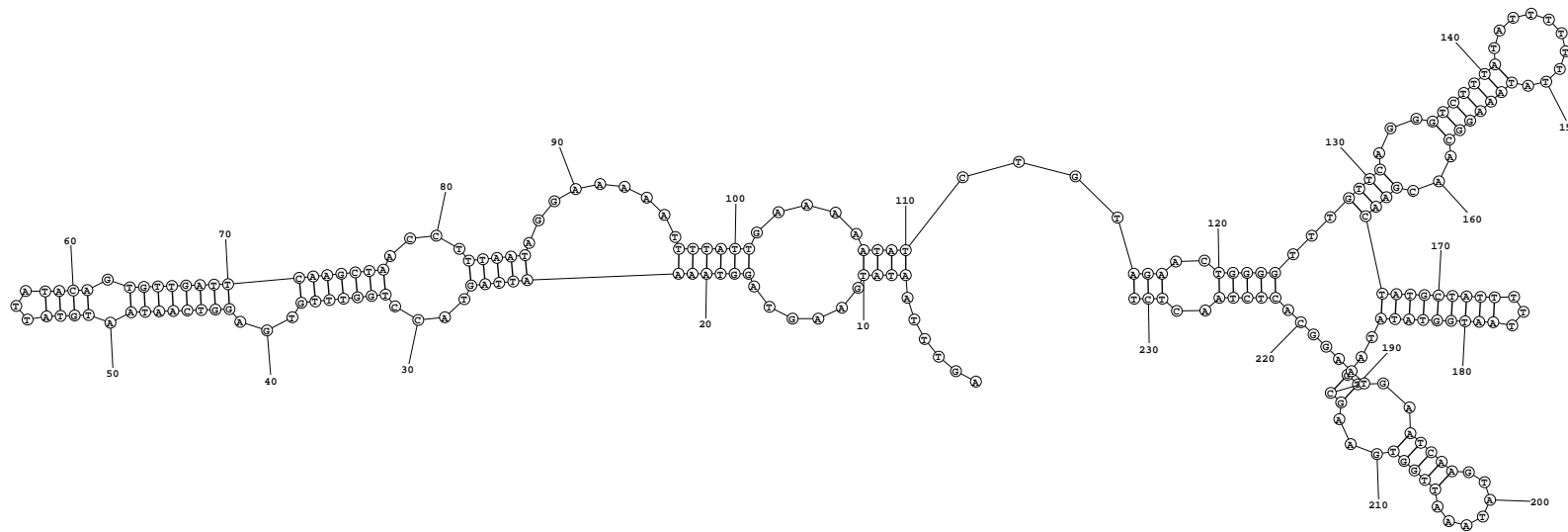
**ENERGY = -33.9 seq4**



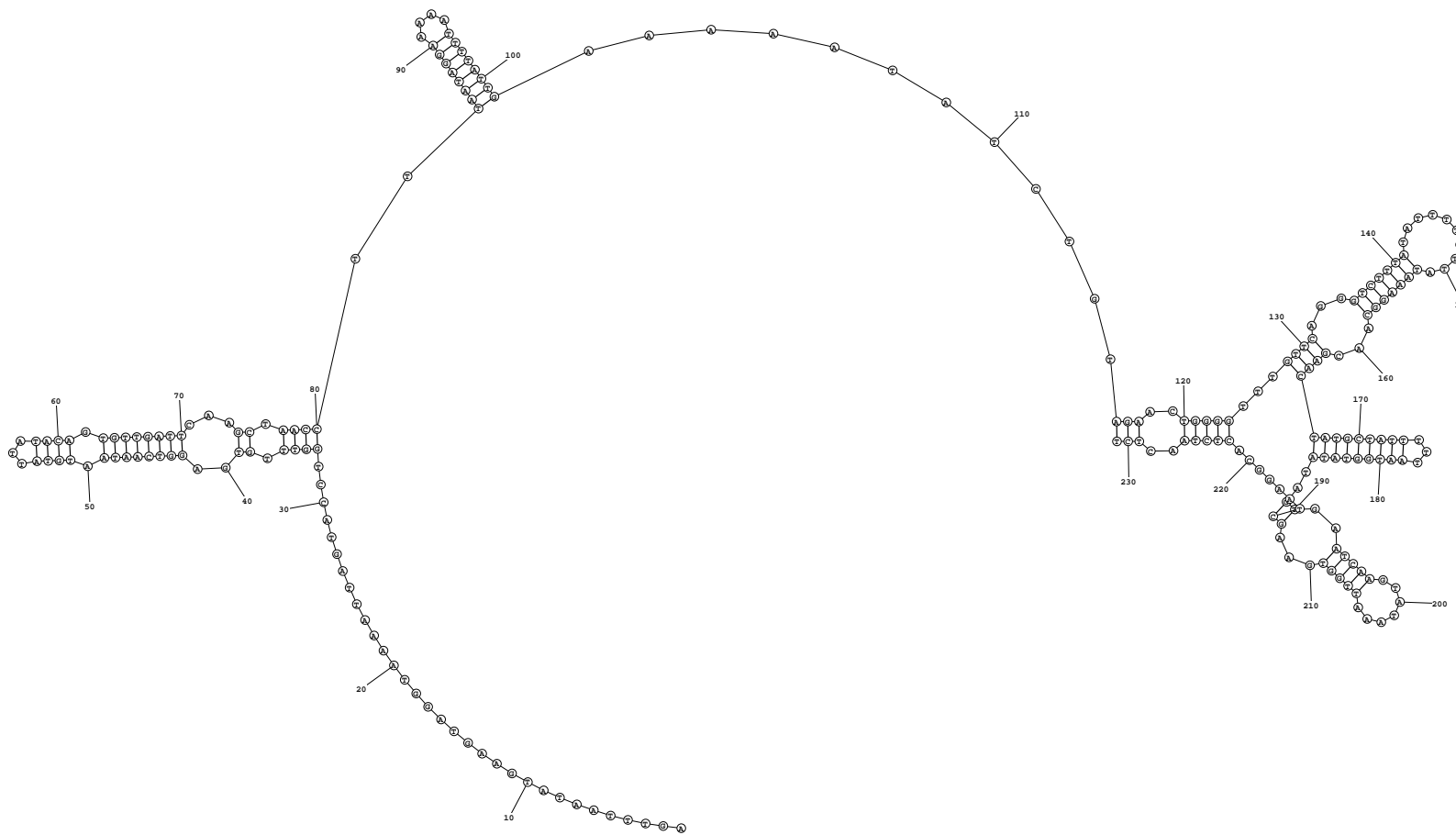
**ENERGY = -34.8 seq4**



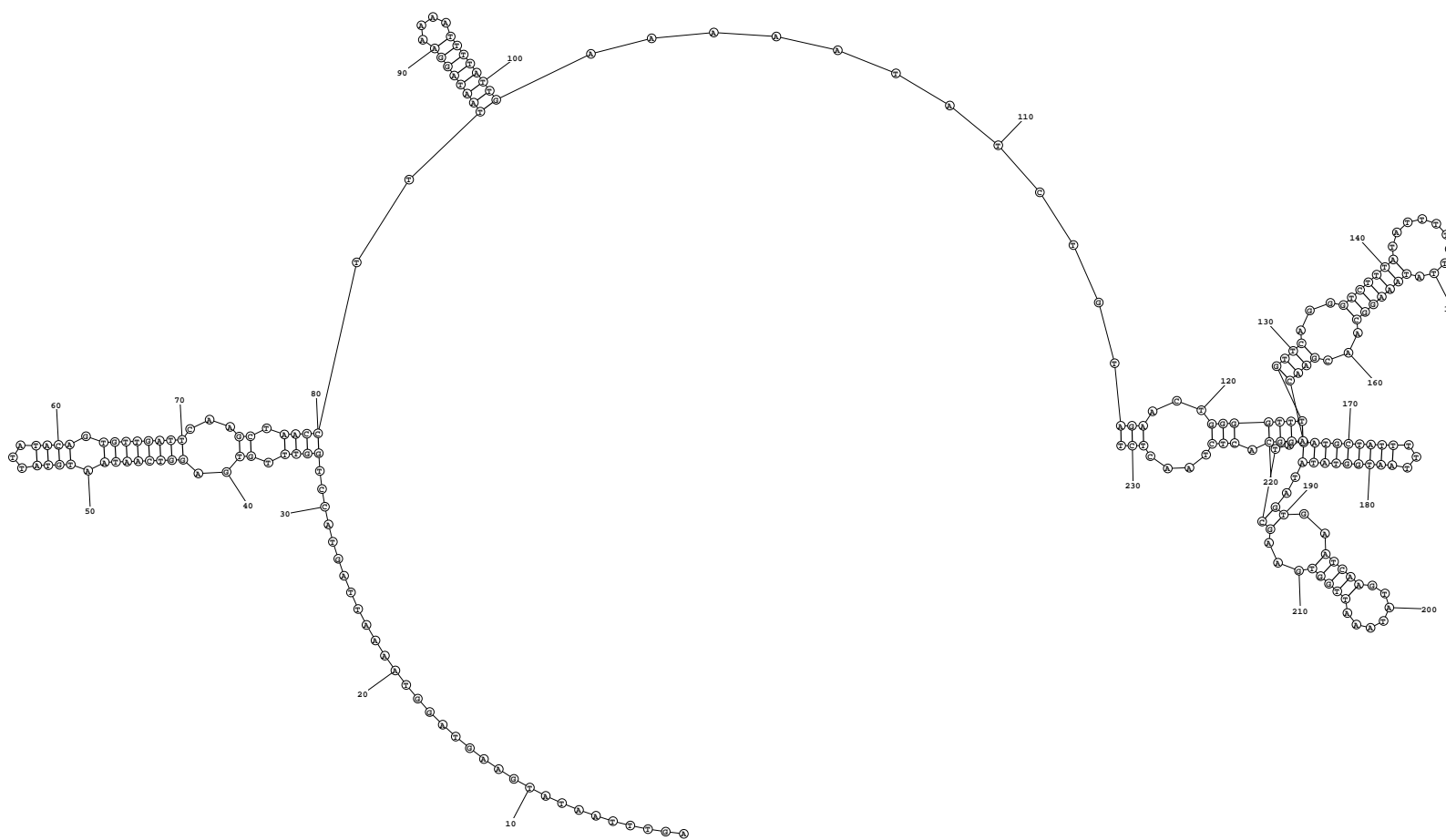
ENERGY = -33.0 seq4



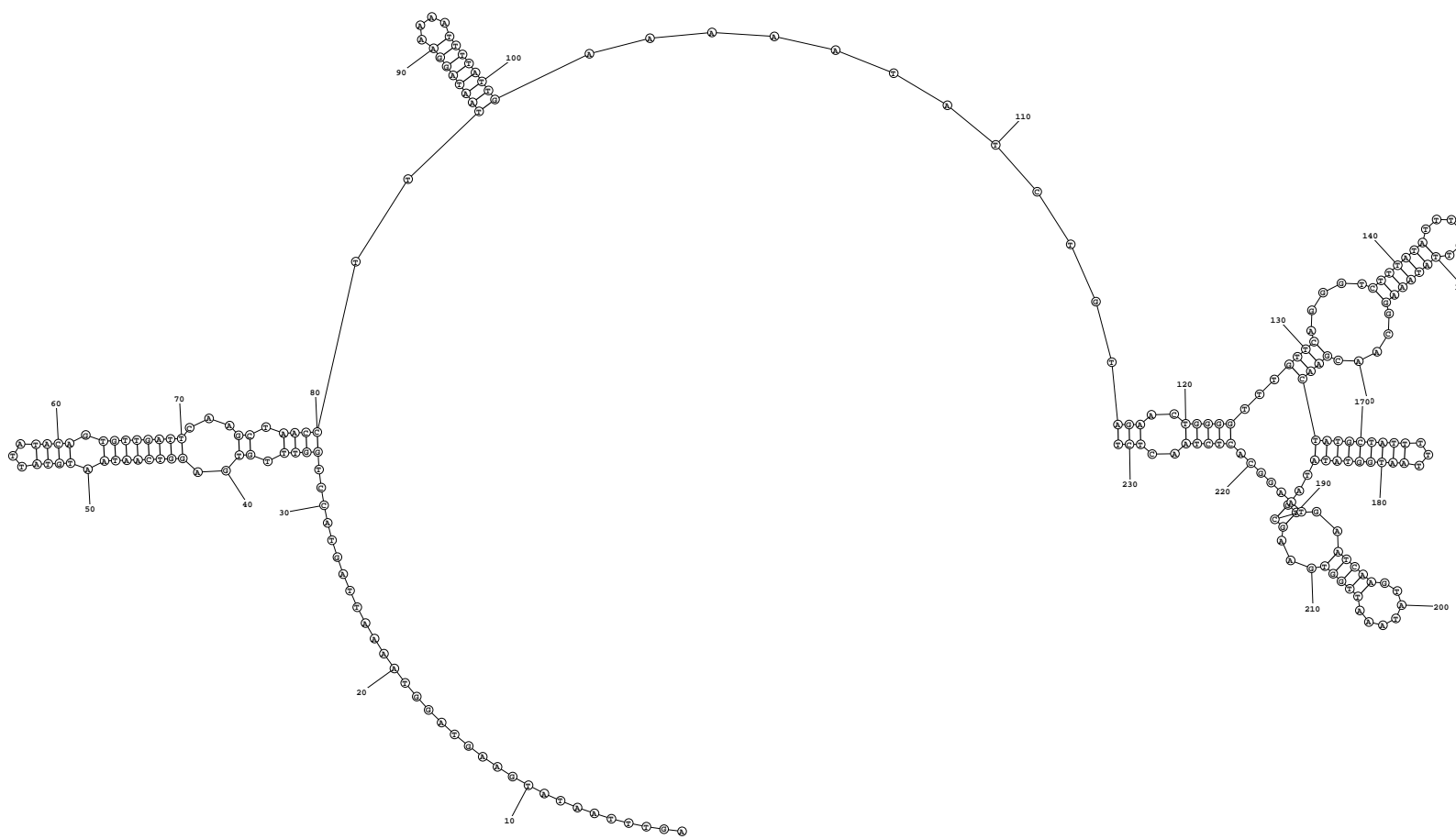
**ENERGY = -31.3 seq4**



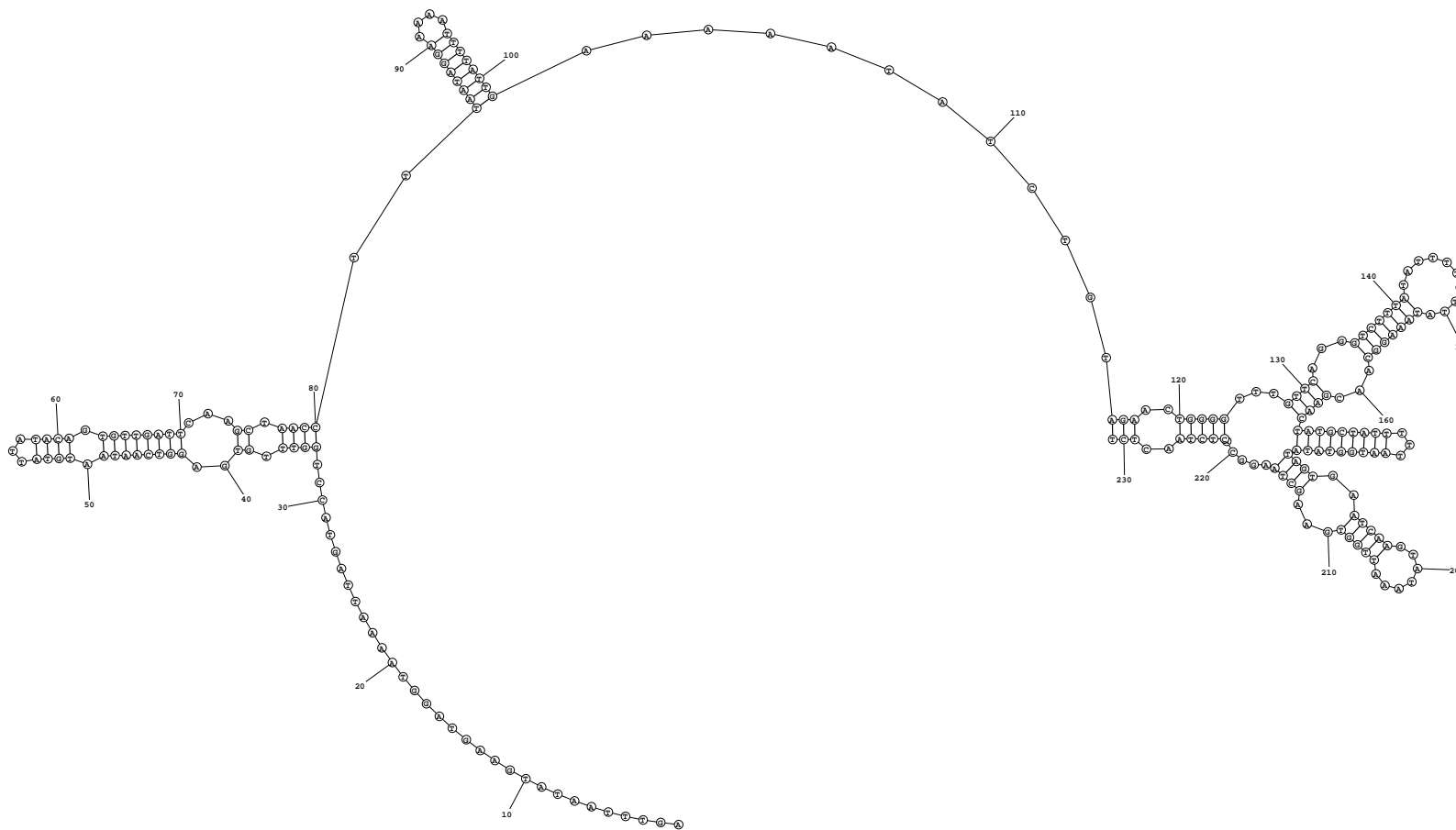
**ENERGY = -32.6 seq4**



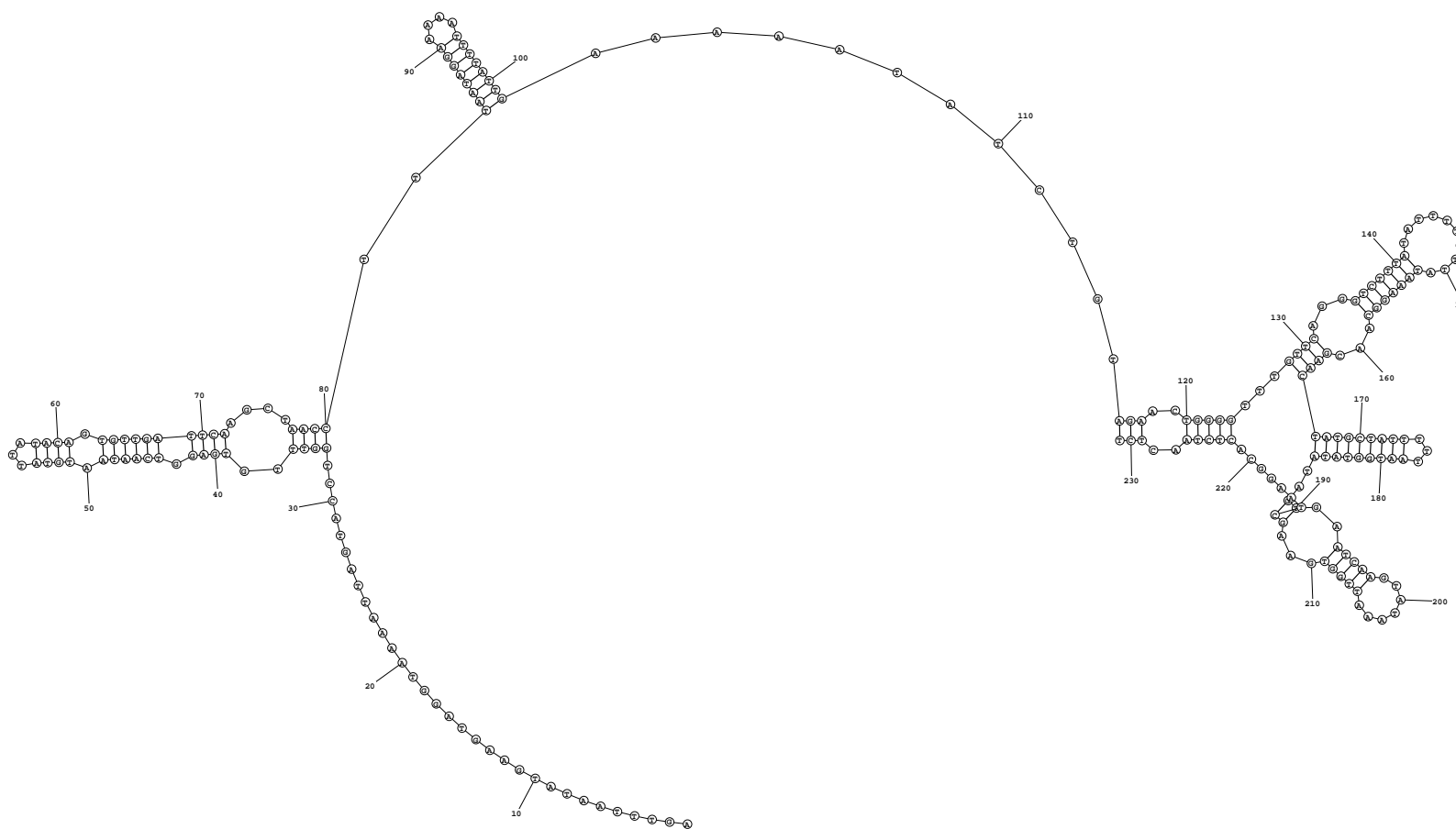
**ENERGY = -32.6 seq4**



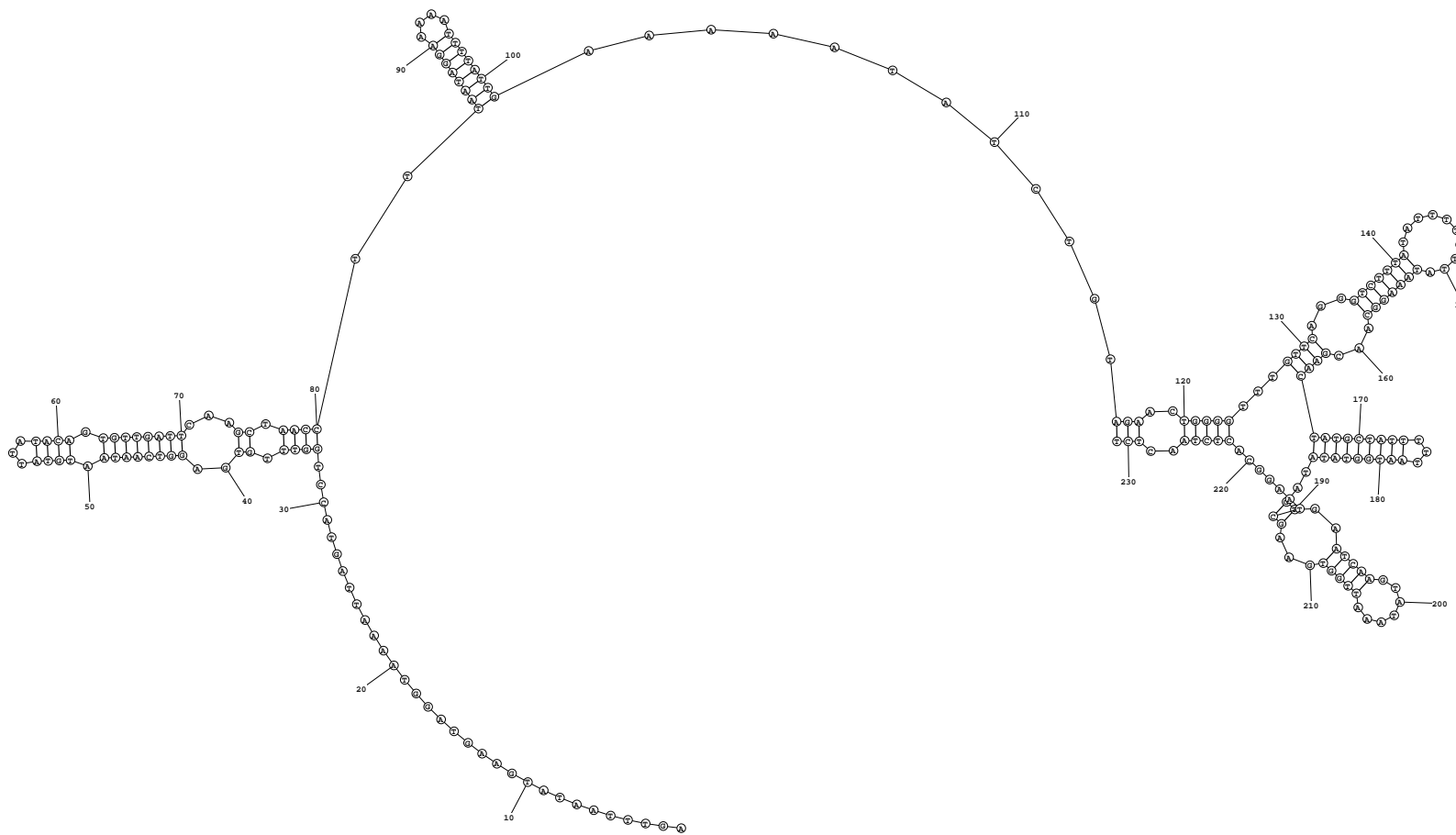
**ENERGY = -31.9 seq4**



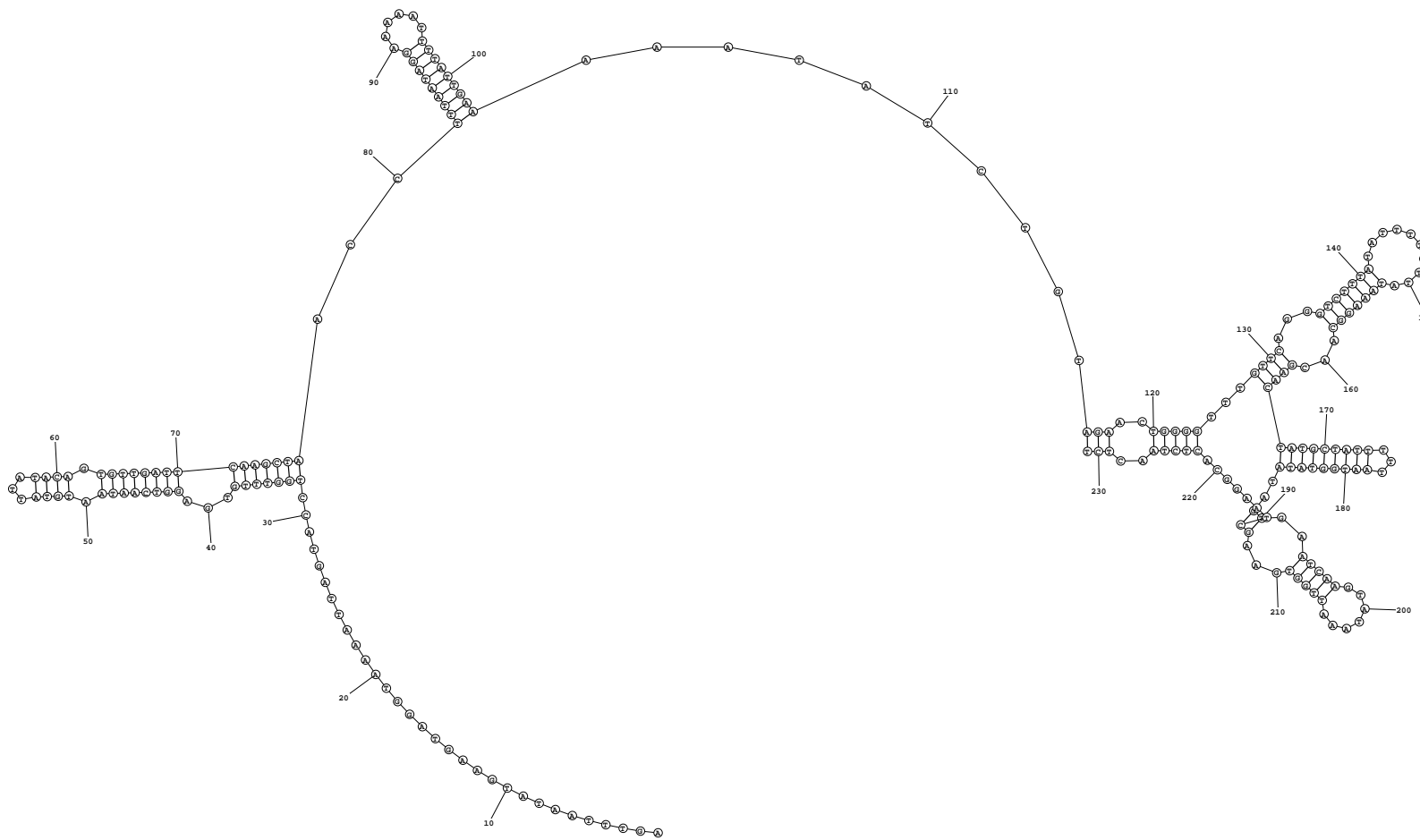
**ENERGY = -35.5 seq4**



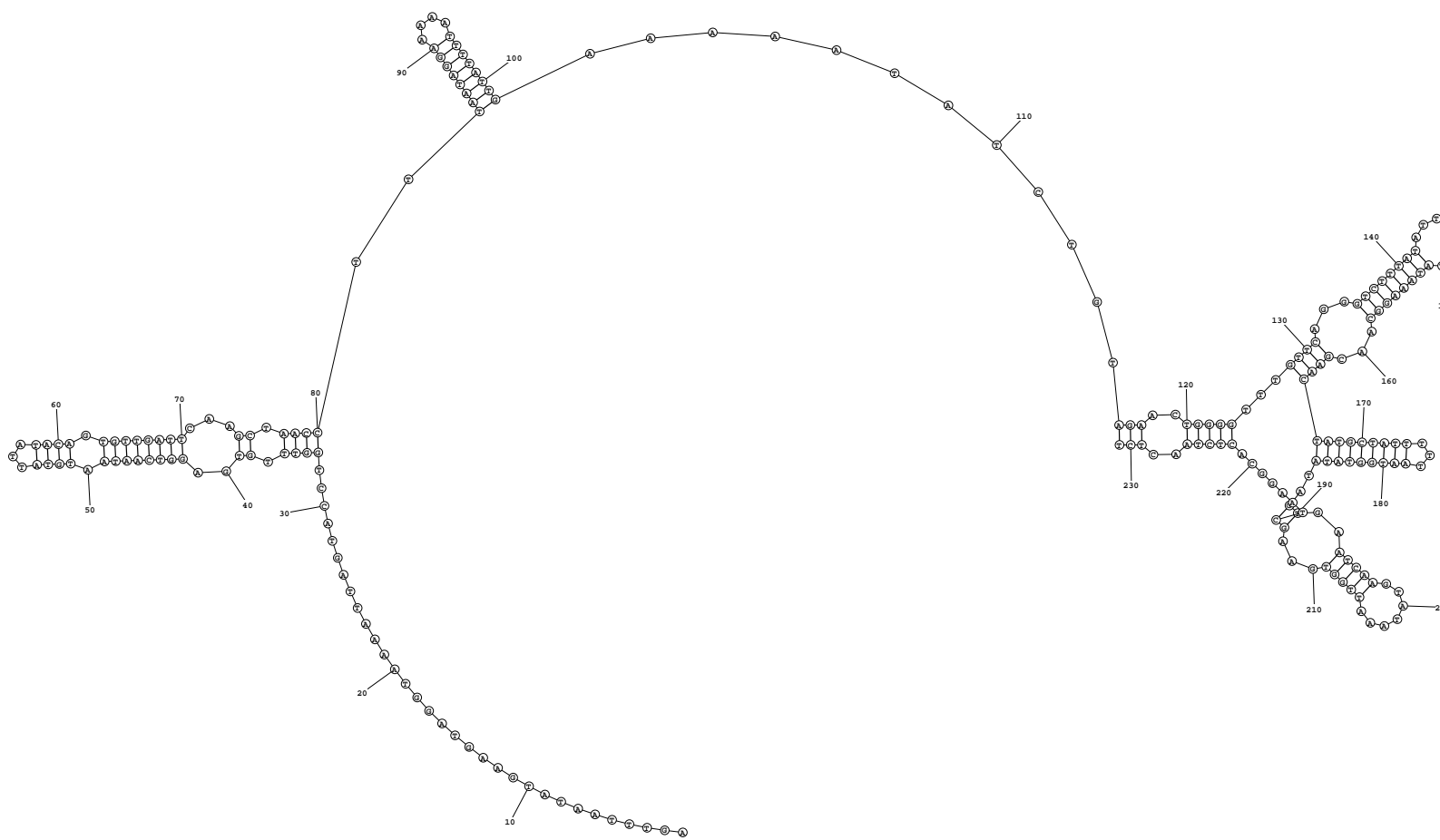
**ENERGY = -32.2 seq4**



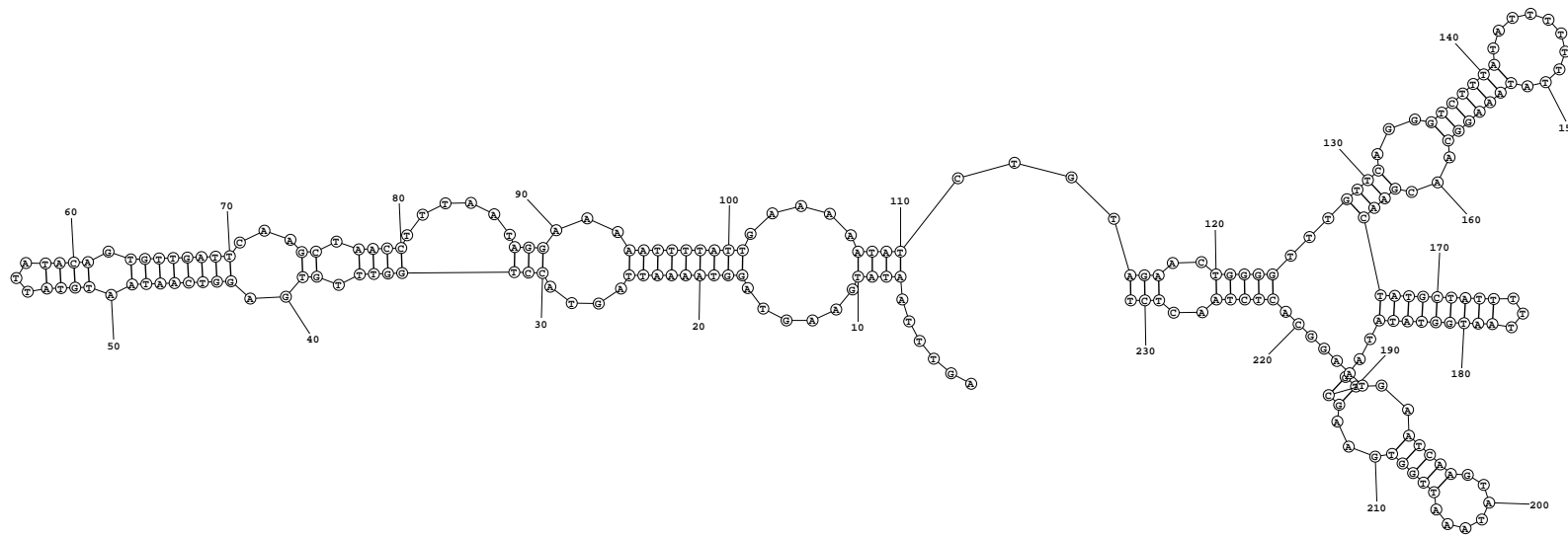
**ENERGY = -32.6 seq4**



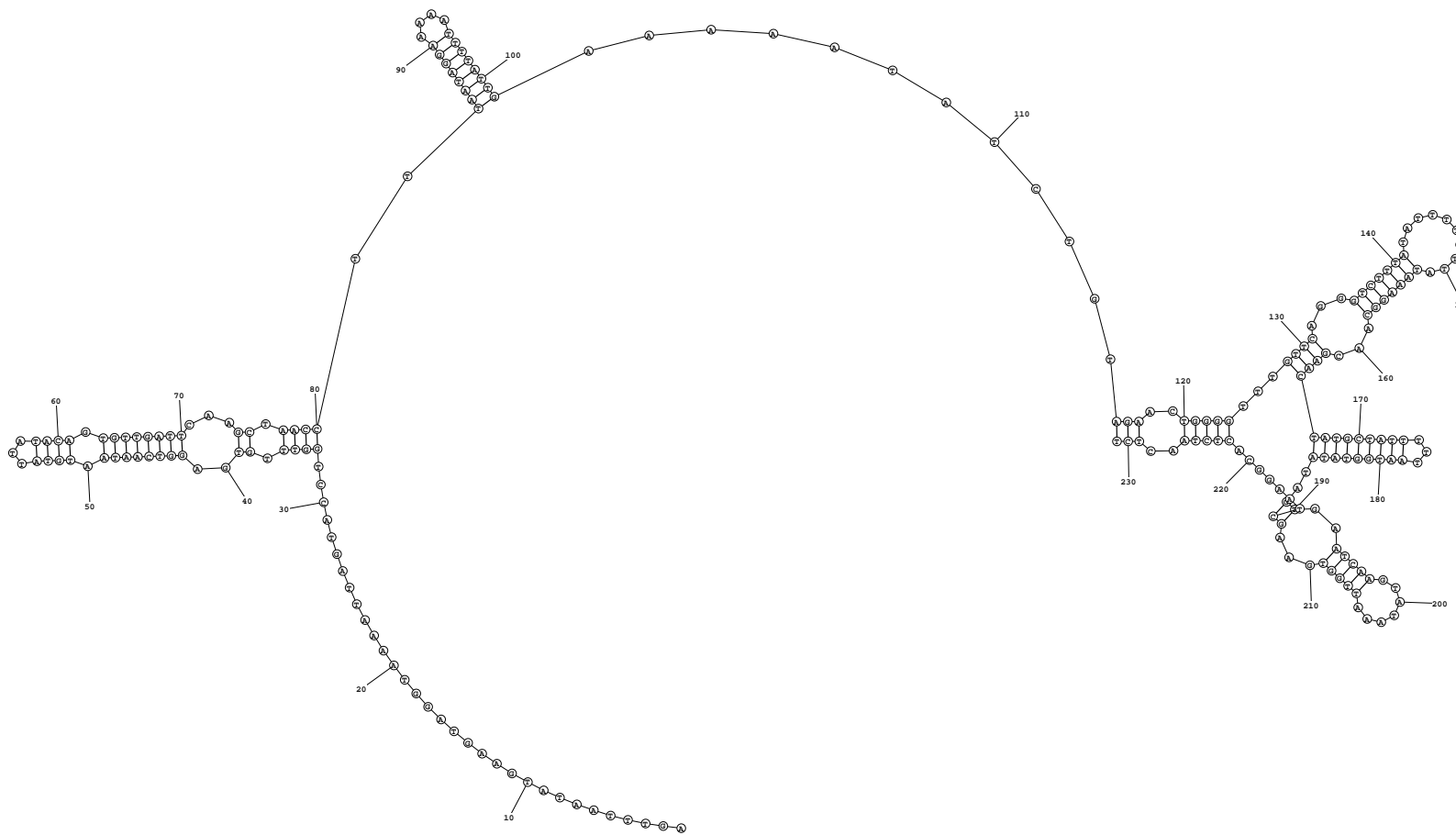
**ENERGY = -33.9 seq4**



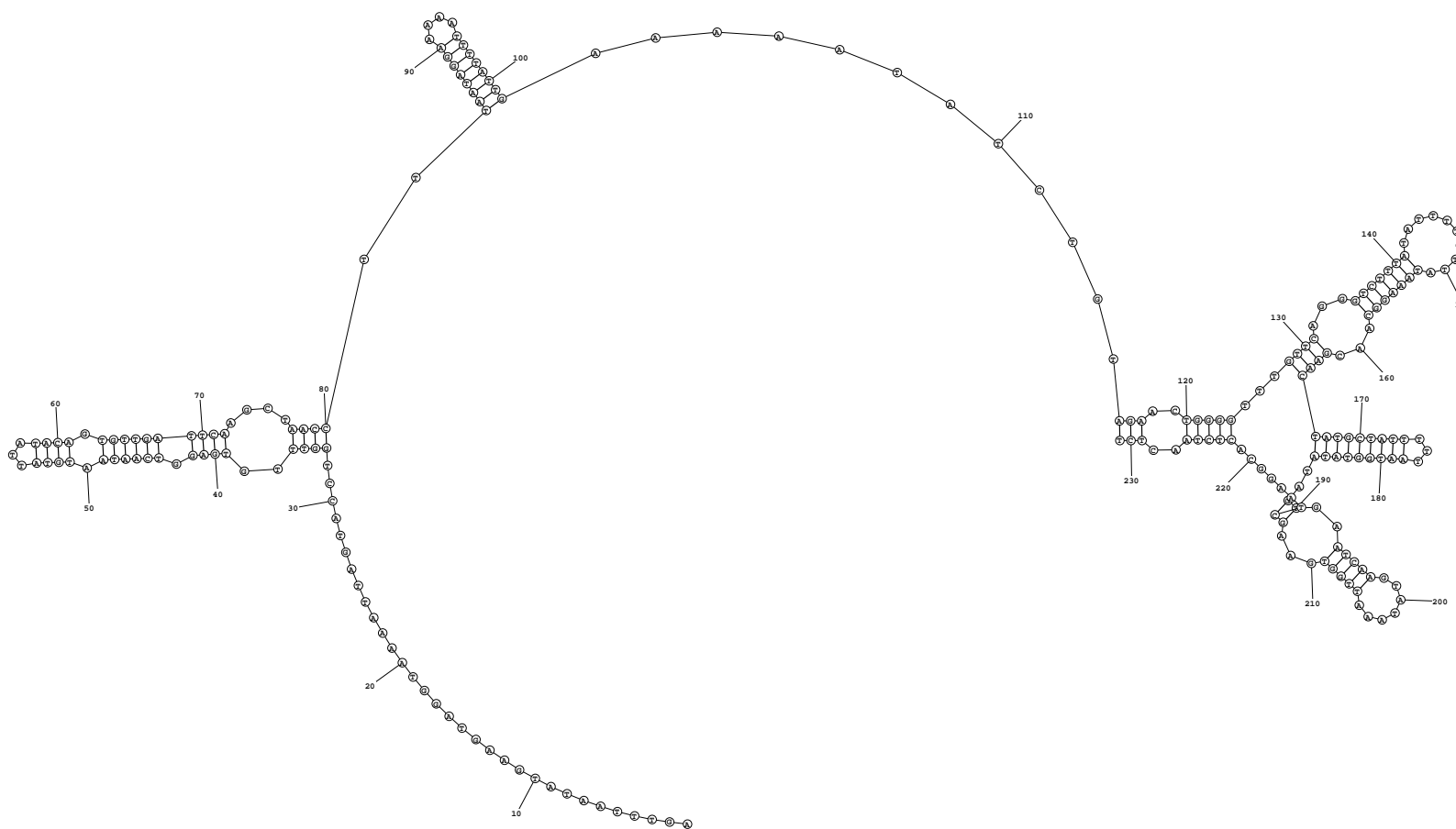
**ENERGY = -34.9 seq4**



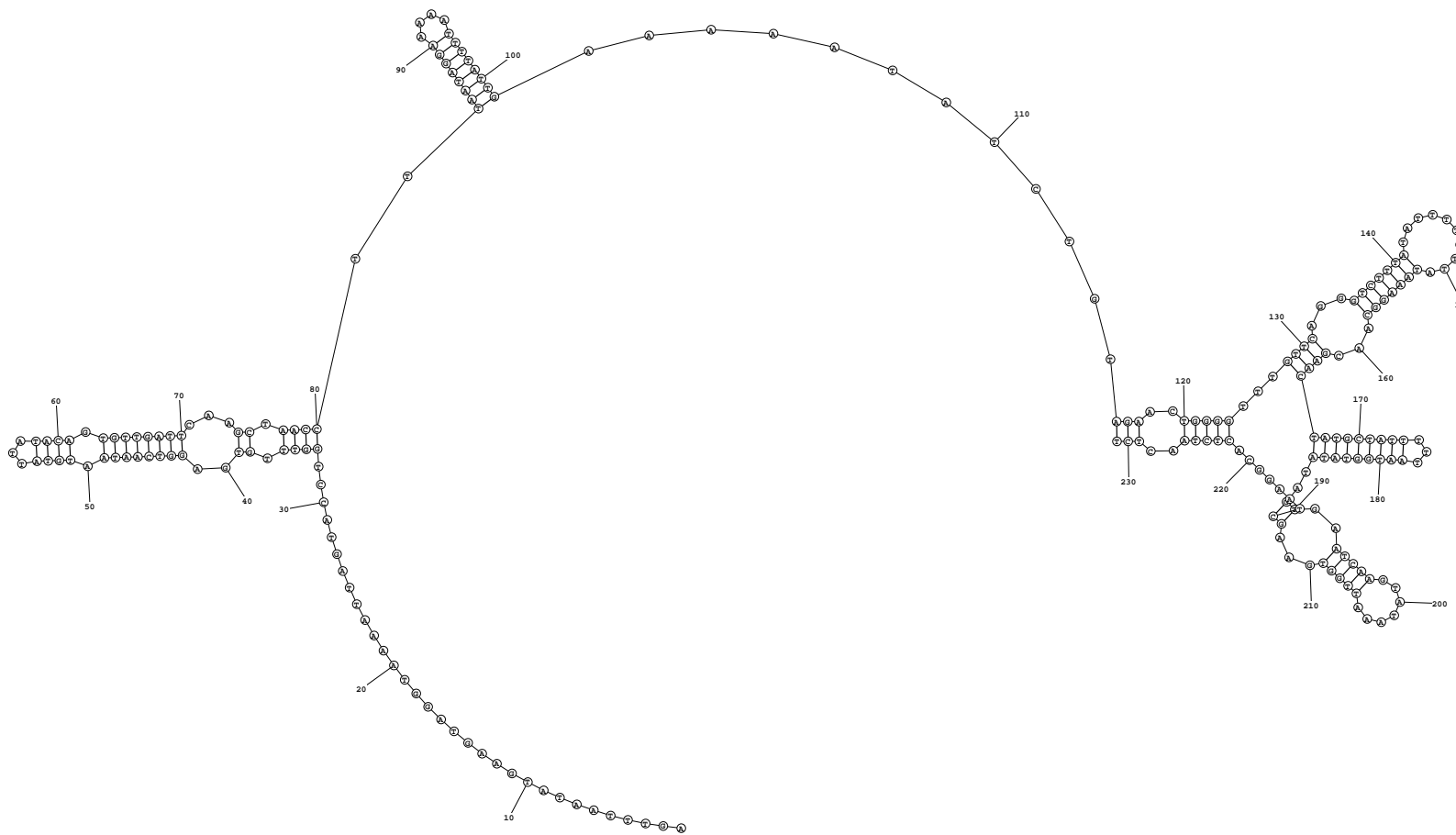
ENERGY = -35.6 seq4



**ENERGY = -32.6 seq4**



**ENERGY = -32.2 seq4**



**ENERGY = -32.6 seq4**