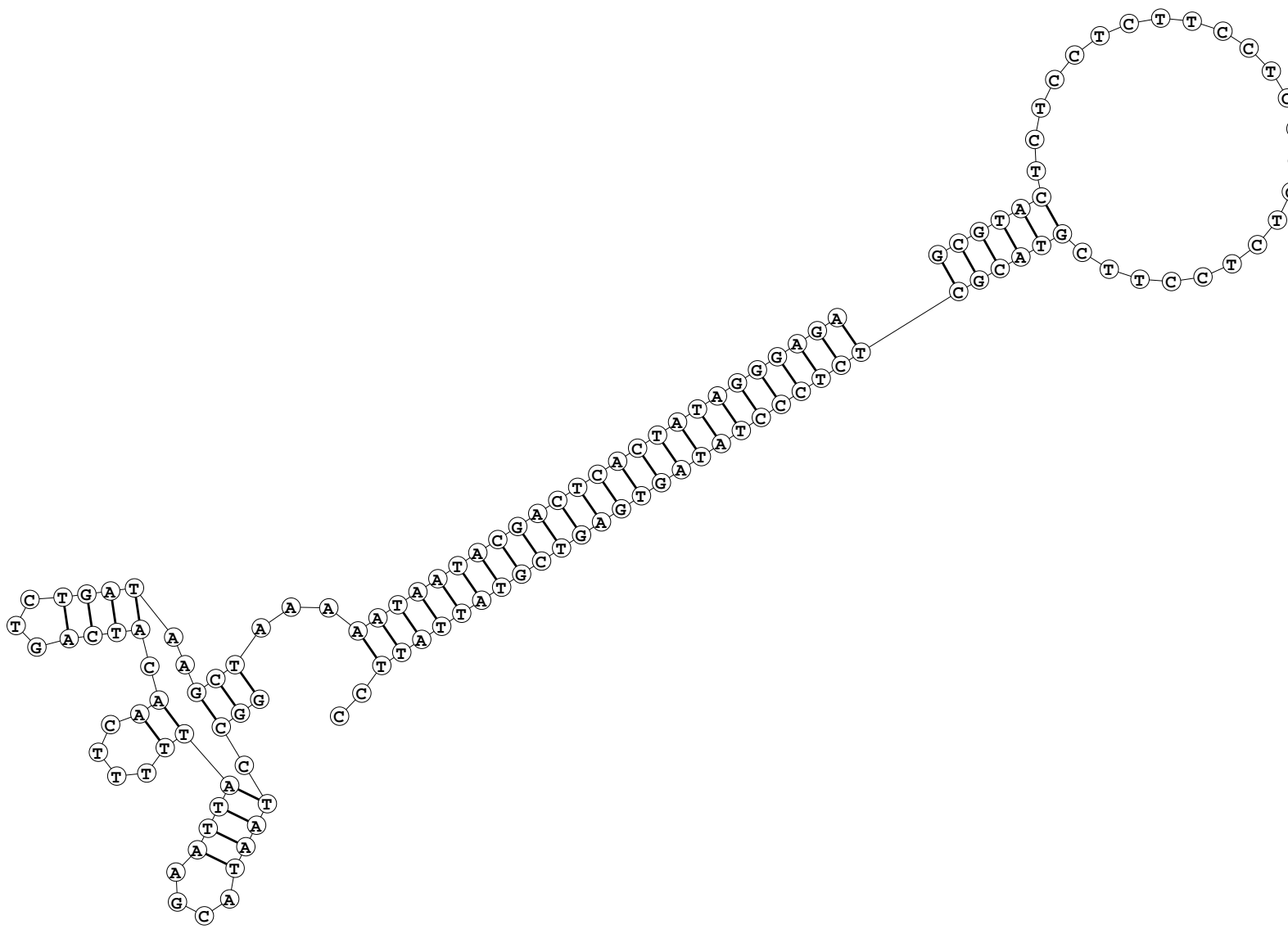
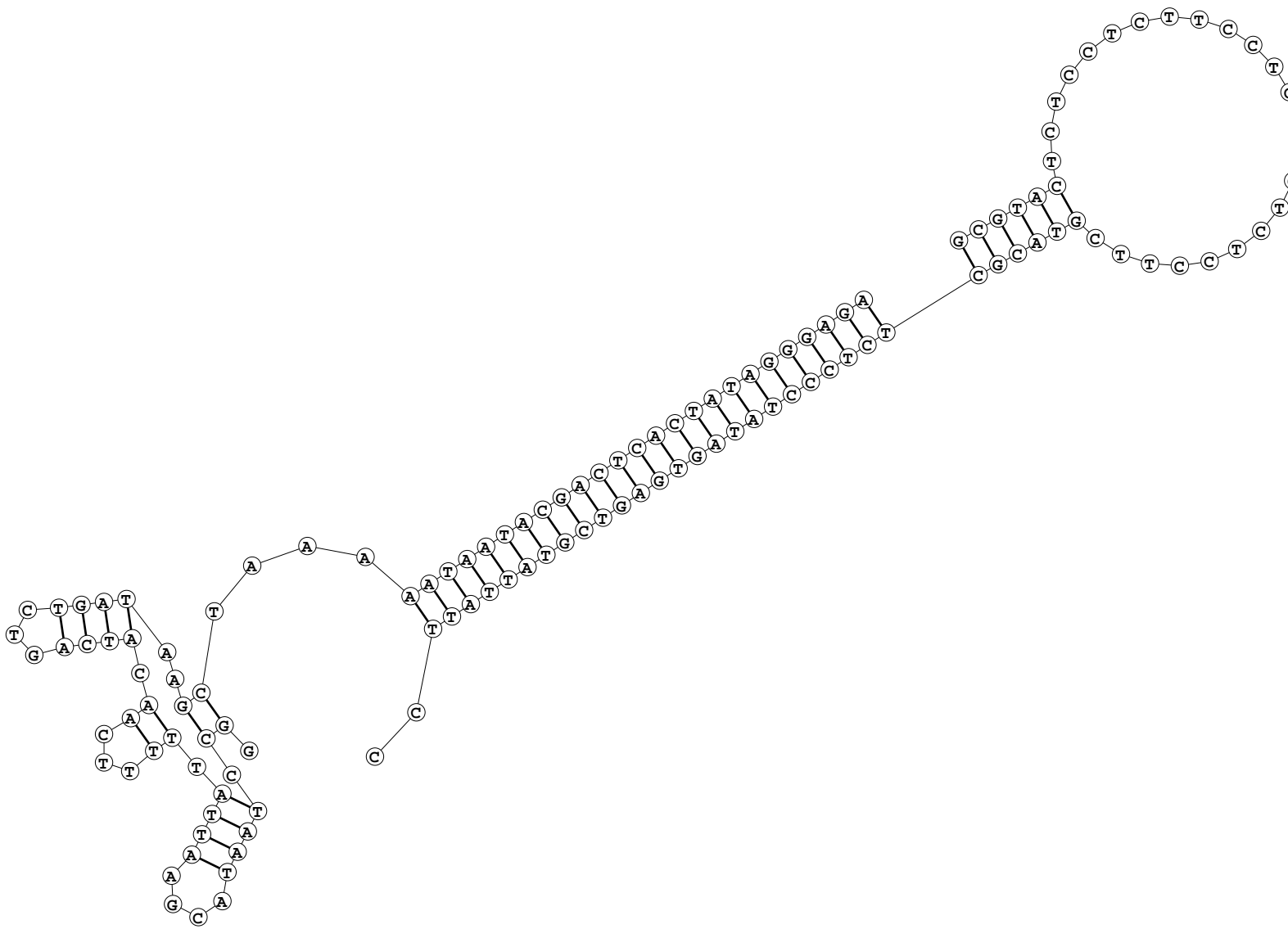


ENERGY = -34.4 03/18/26 11:16:01\_ 0...

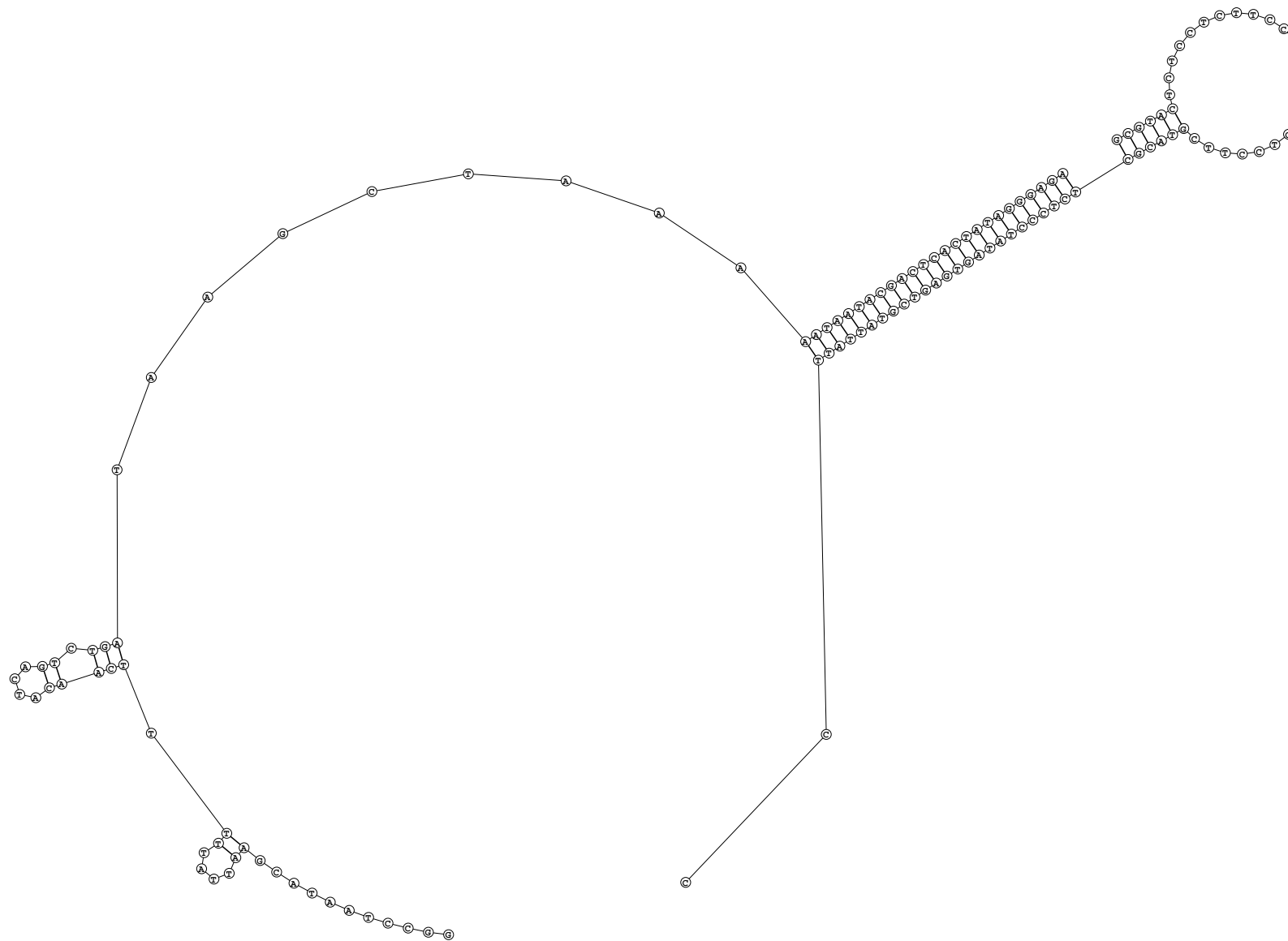




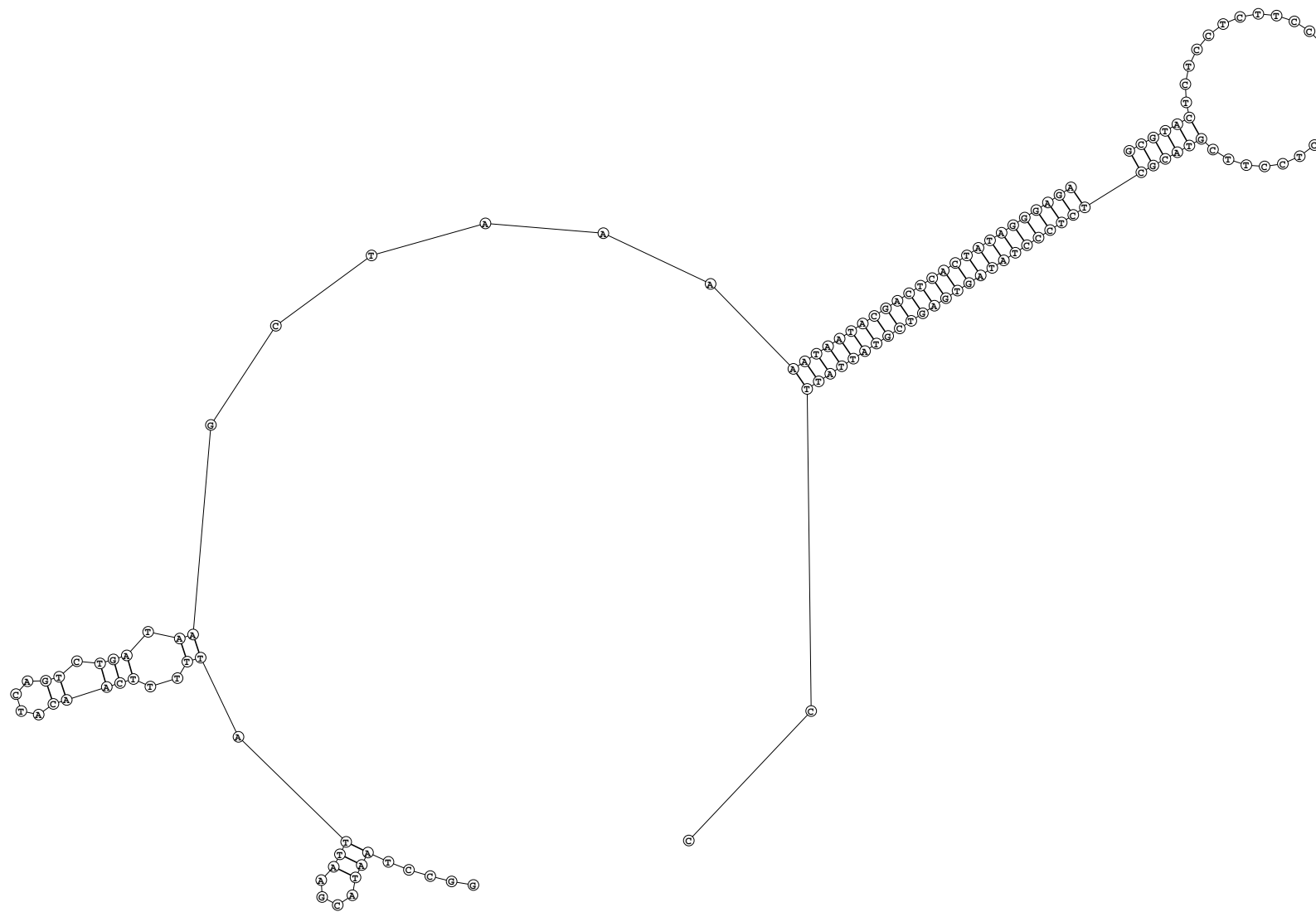
ENERGY = -33.8 03/18/26 11:16:01\_ 0...



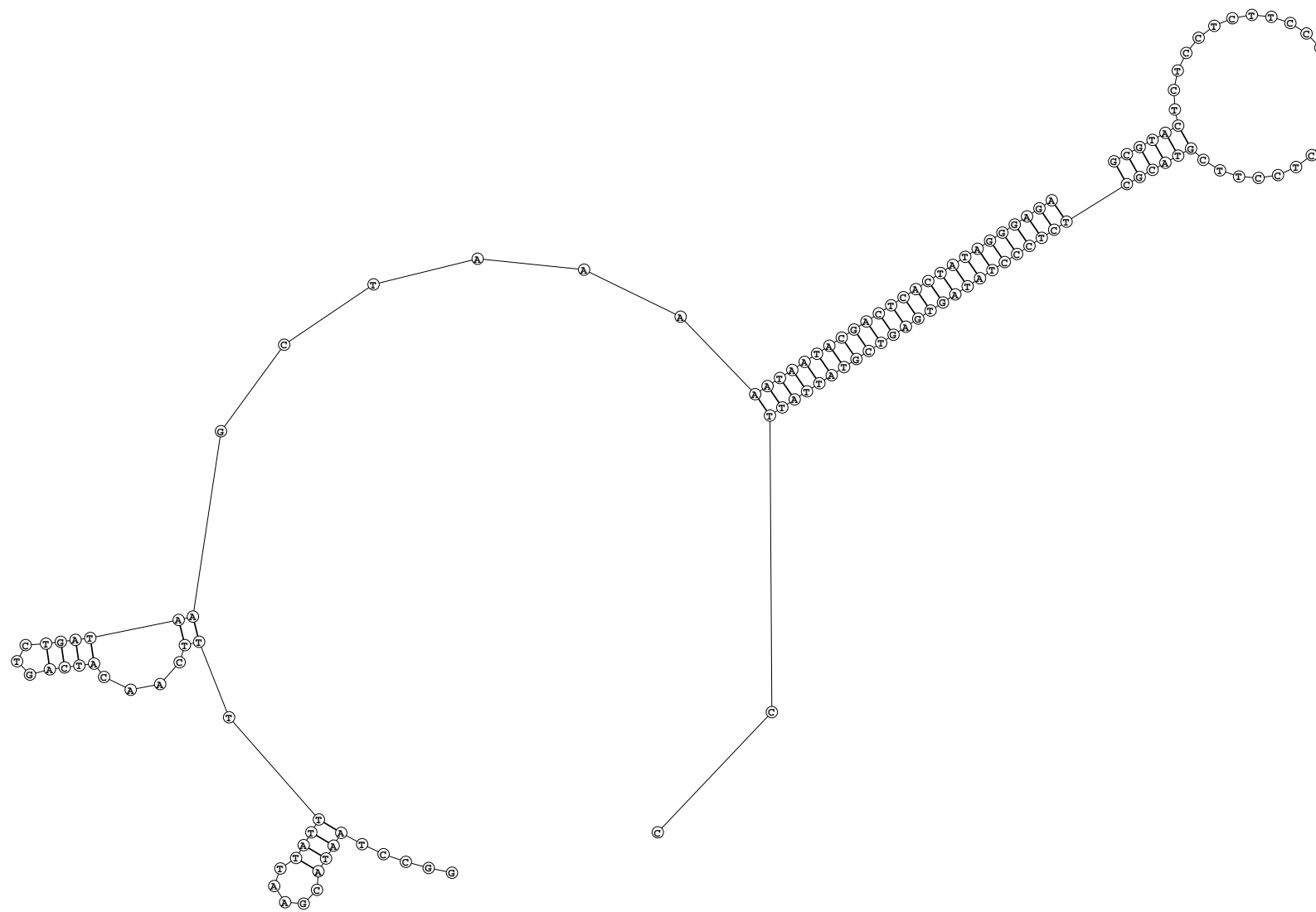
ENERGY = -33.7 03/18/26 11:16:01\_ 0...



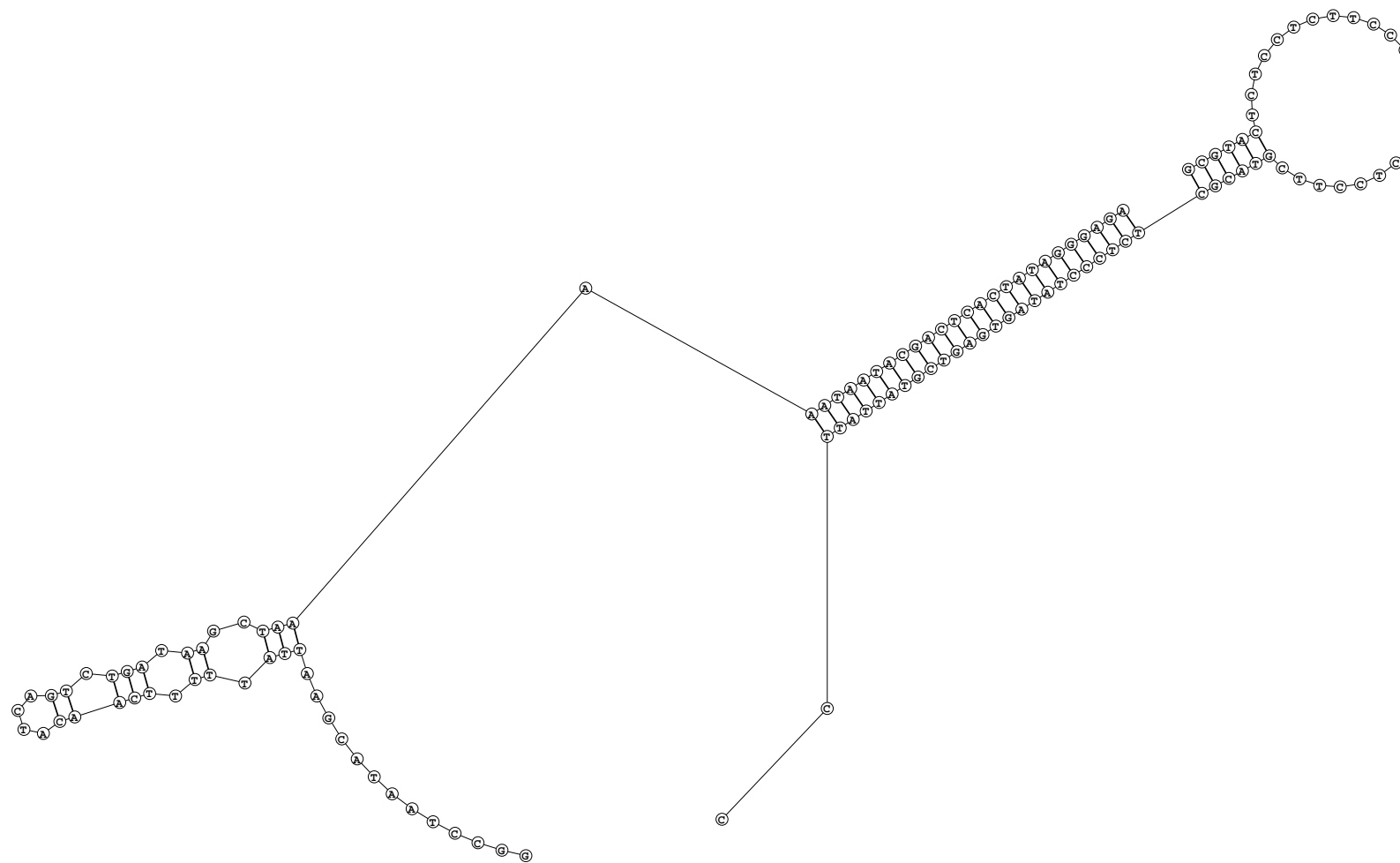
ENERGY = -33.4 03/18/26 11:16:01\_ 0...



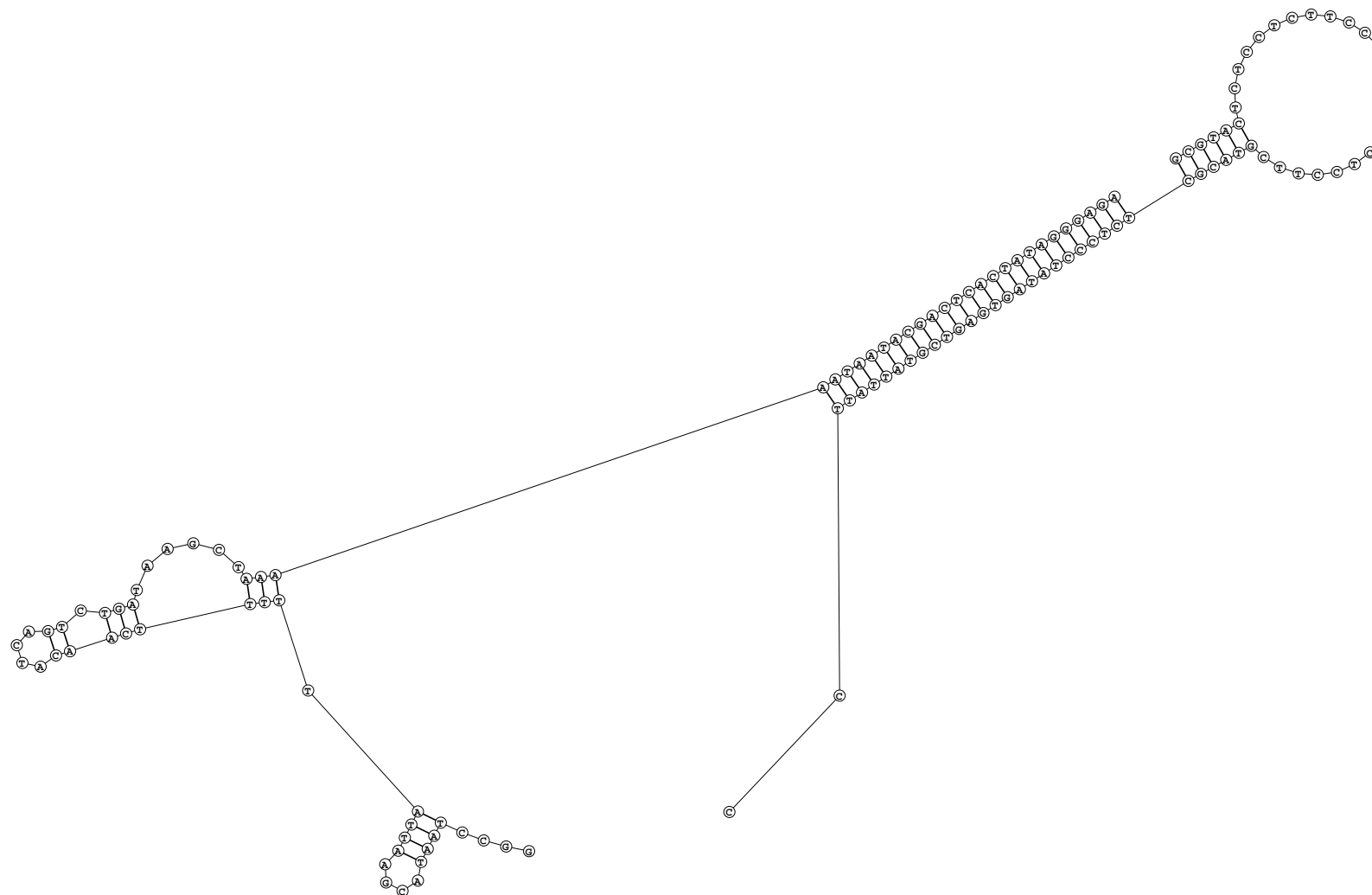
ENERGY = -33.2 03/18/26 11:16:01\_ 0...



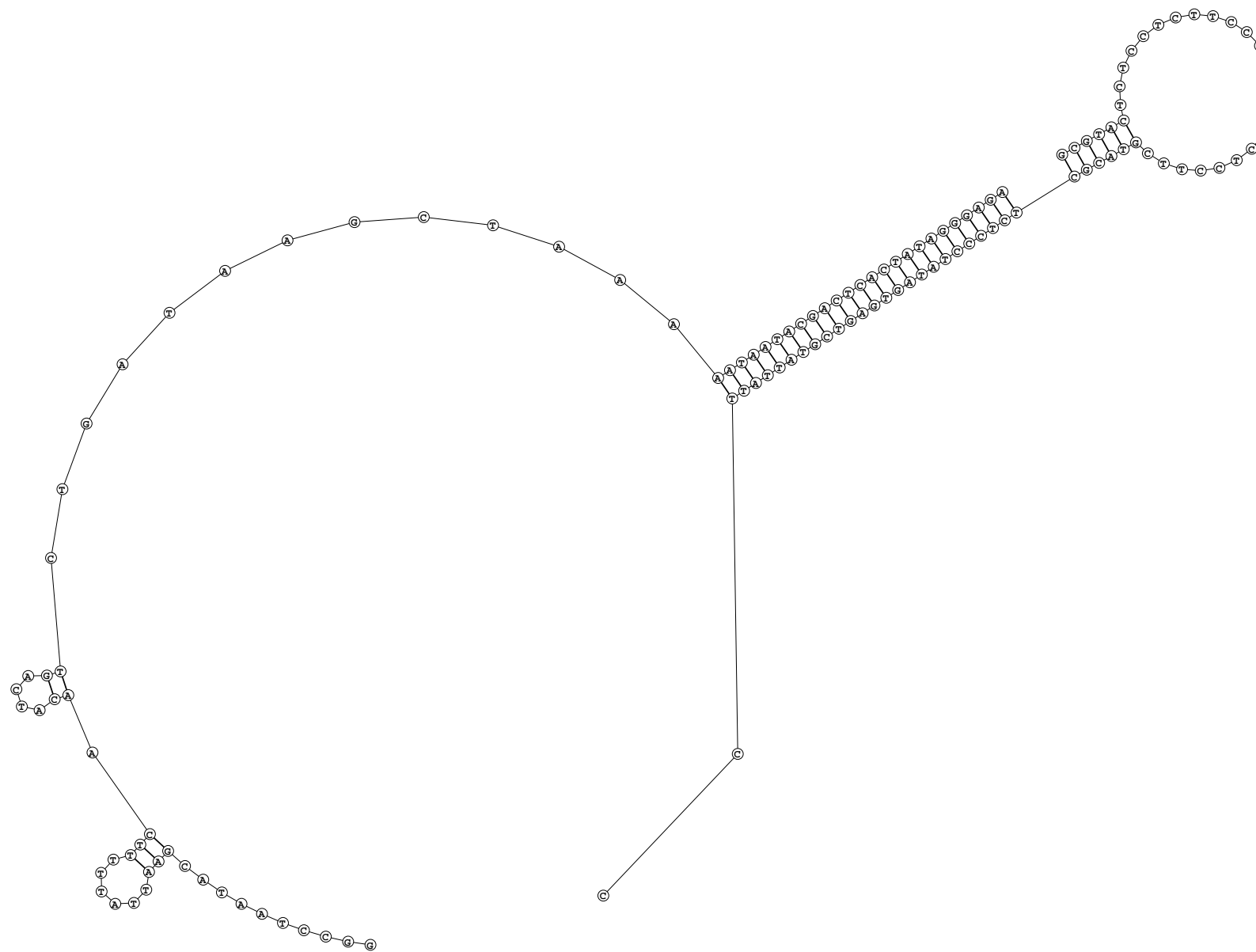
ENERGY = -33.1 03/18/26 11:16:01\_ 0...



ENERGY = -33.1 03/18/26 11:16:01\_ 0...

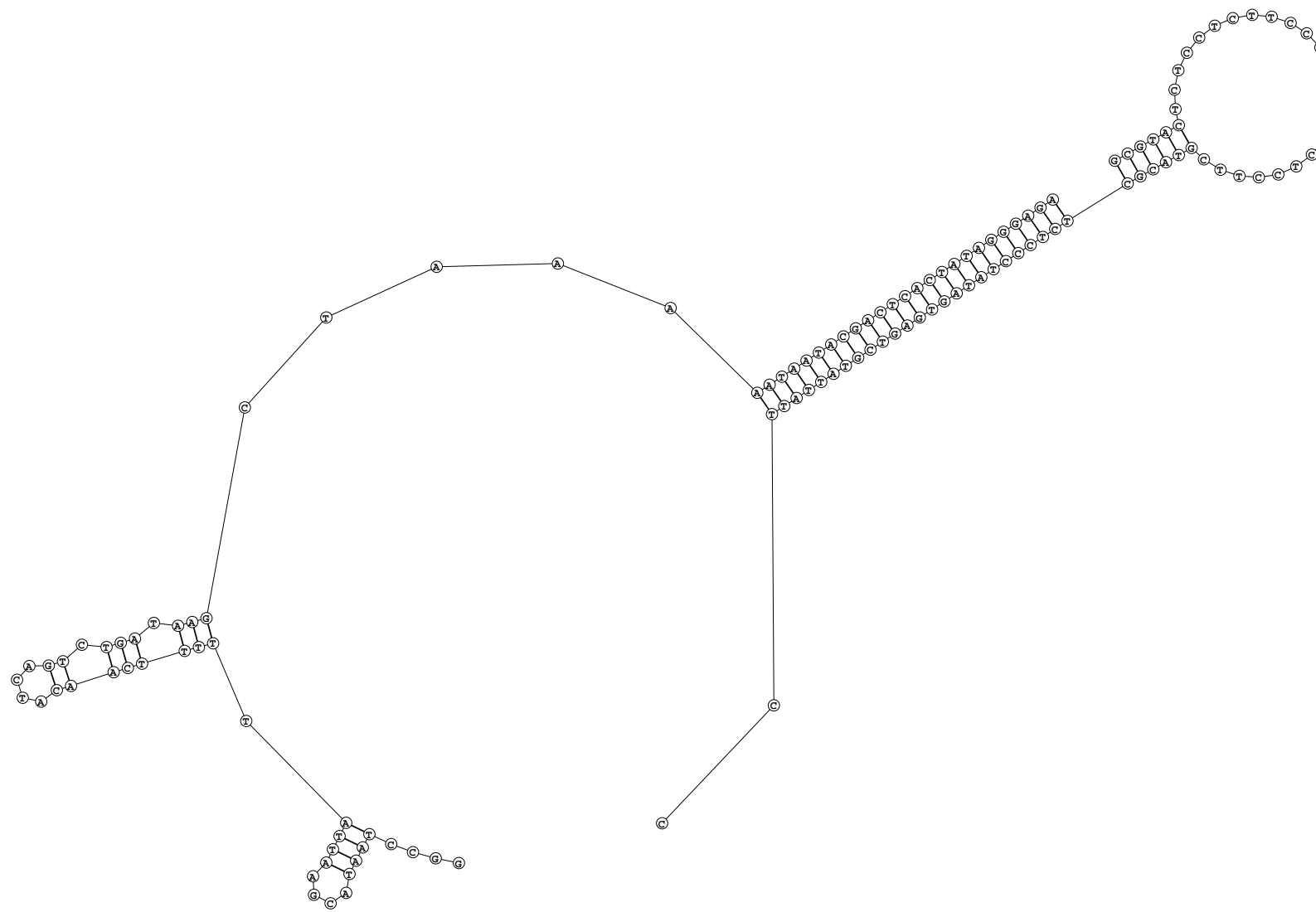


ENERGY = -32.9 03/18/26 11:16:01\_ 0...

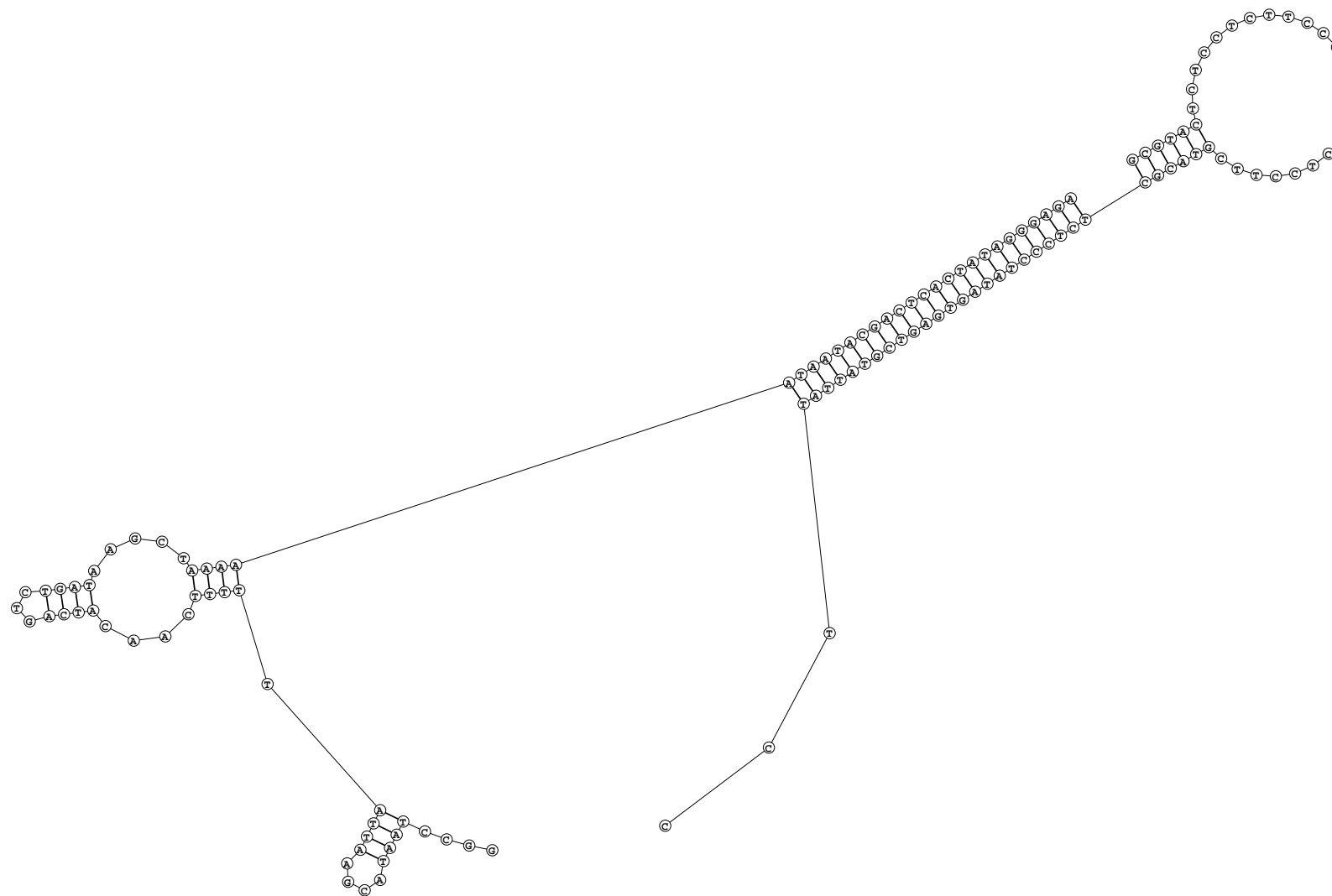


ENERGY = -32.8 03/18/26 11:16:01\_ 0...





ENERGY = -32.8 03/18/26 11:16:01\_ 0...



ENERGY = -32.7 03/18/26 11:16:01\_ 0...