

Probability >= 99%

99% > Probability >= 95%

95% > Probability >= 90%

90% > Probability >= 80%

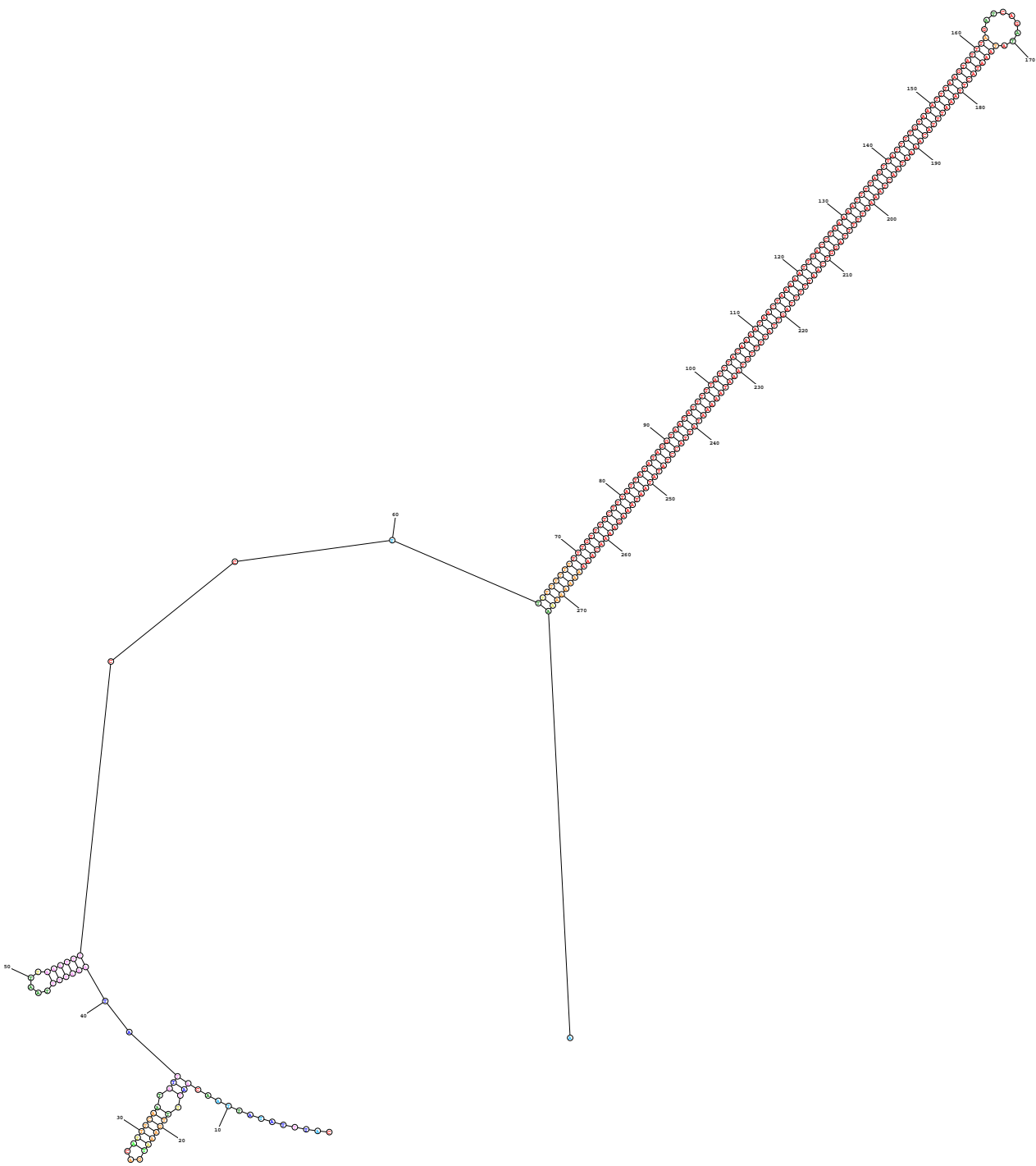
80% > Probability >= 70%

70% > Probability >= 60%

60% > Probability >= 50%

50% > Probability

ENERGY = -129.4 04/21/26 11:04:38



Probability >= 99%

99% > Probability >= 95%

95% > Probability >= 90%

90% > Probability >= 80%

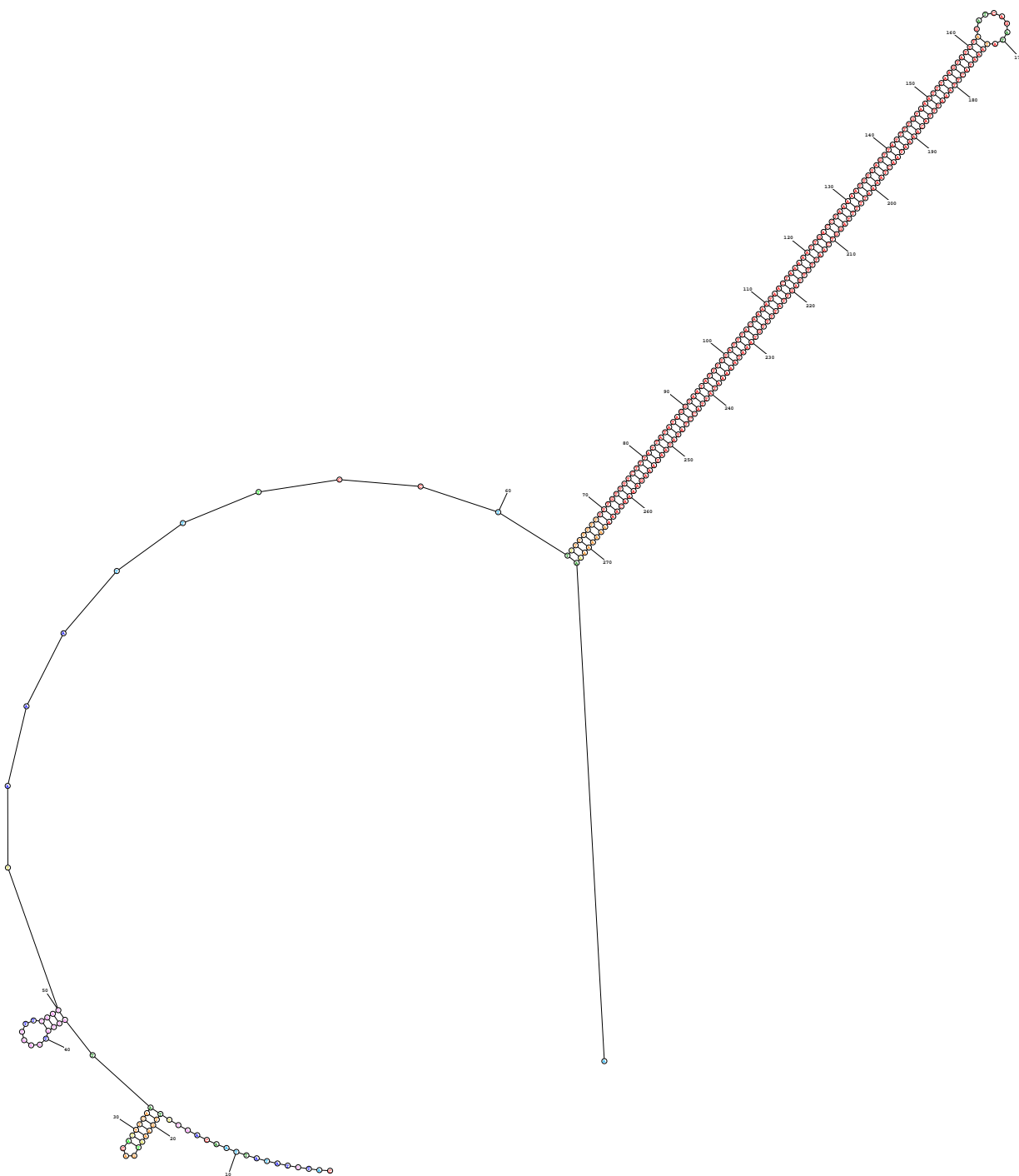
80% > Probability >= 70%

70% > Probability >= 60%

60% > Probability >= 50%

50% > Probability

ENERGY = -128.7 04/21/26 11:04:38



Probability >= 99%

99% > Probability >= 95%

95% > Probability >= 90%

90% > Probability >= 80%

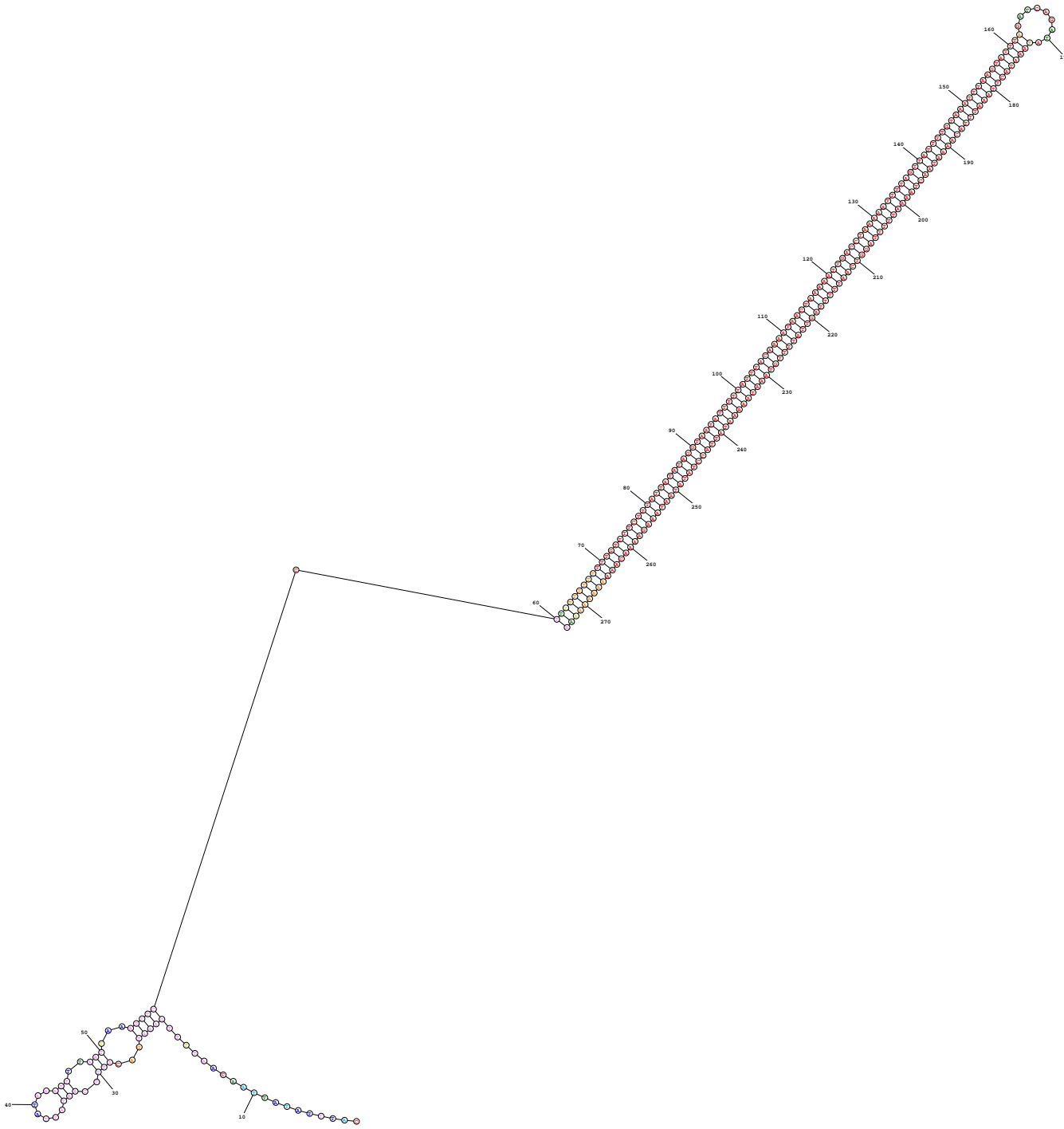
80% > Probability >= 70%

70% > Probability >= 60%

60% > Probability >= 50%

50% > Probability

ENERGY = -128.5 04/21/26 11:04:38



Probability >= 99%

99% > Probability >= 95%

95% > Probability >= 90%

90% > Probability >= 80%

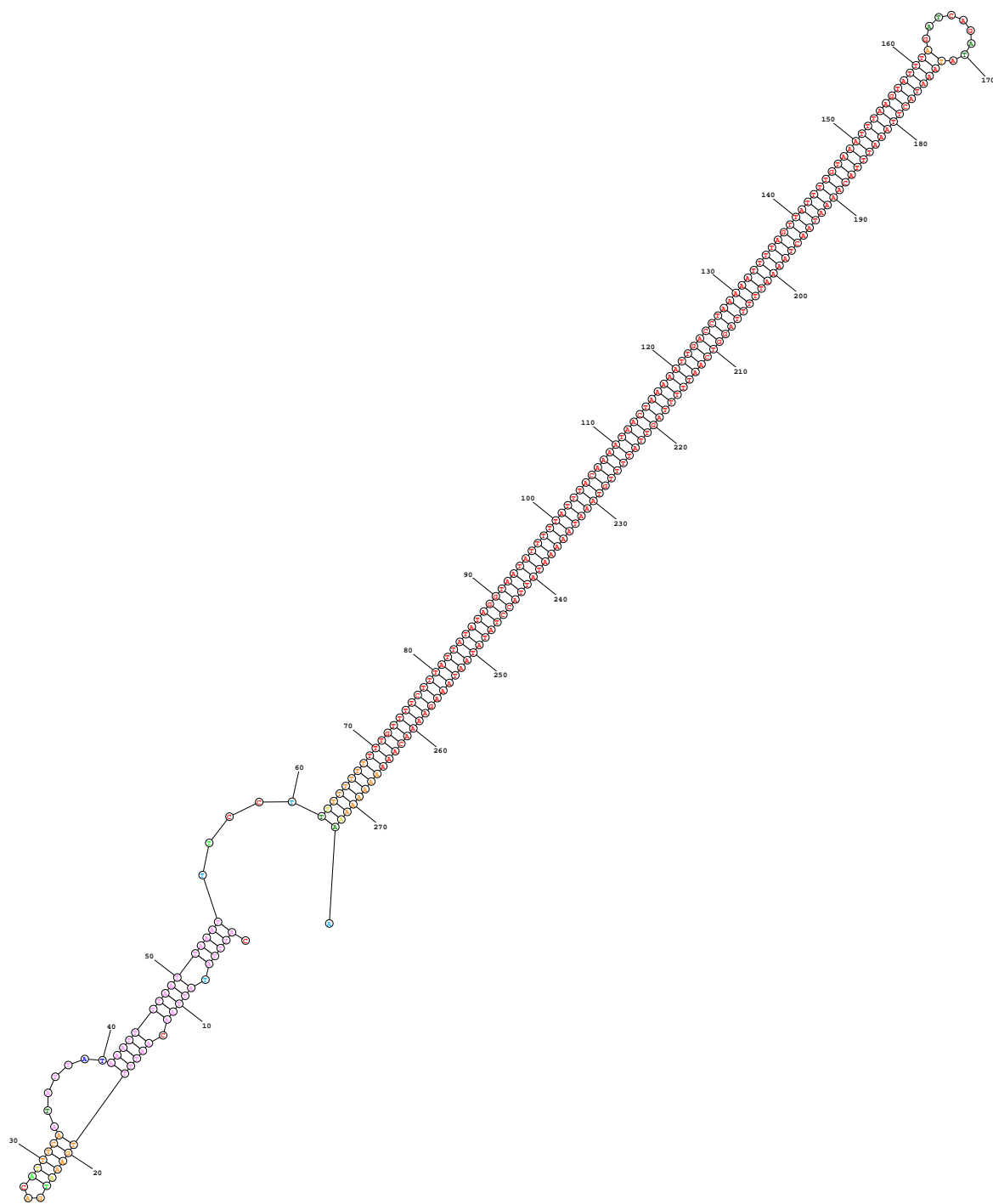
80% > Probability >= 70%

70% > Probability >= 60%

60% > Probability >= 50%

50% > Probability

ENERGY = -128.0 04/21/26 11:04:38



Probability >= 99%

99% > Probability >= 95%

95% > Probability >= 90%

90% > Probability >= 80%

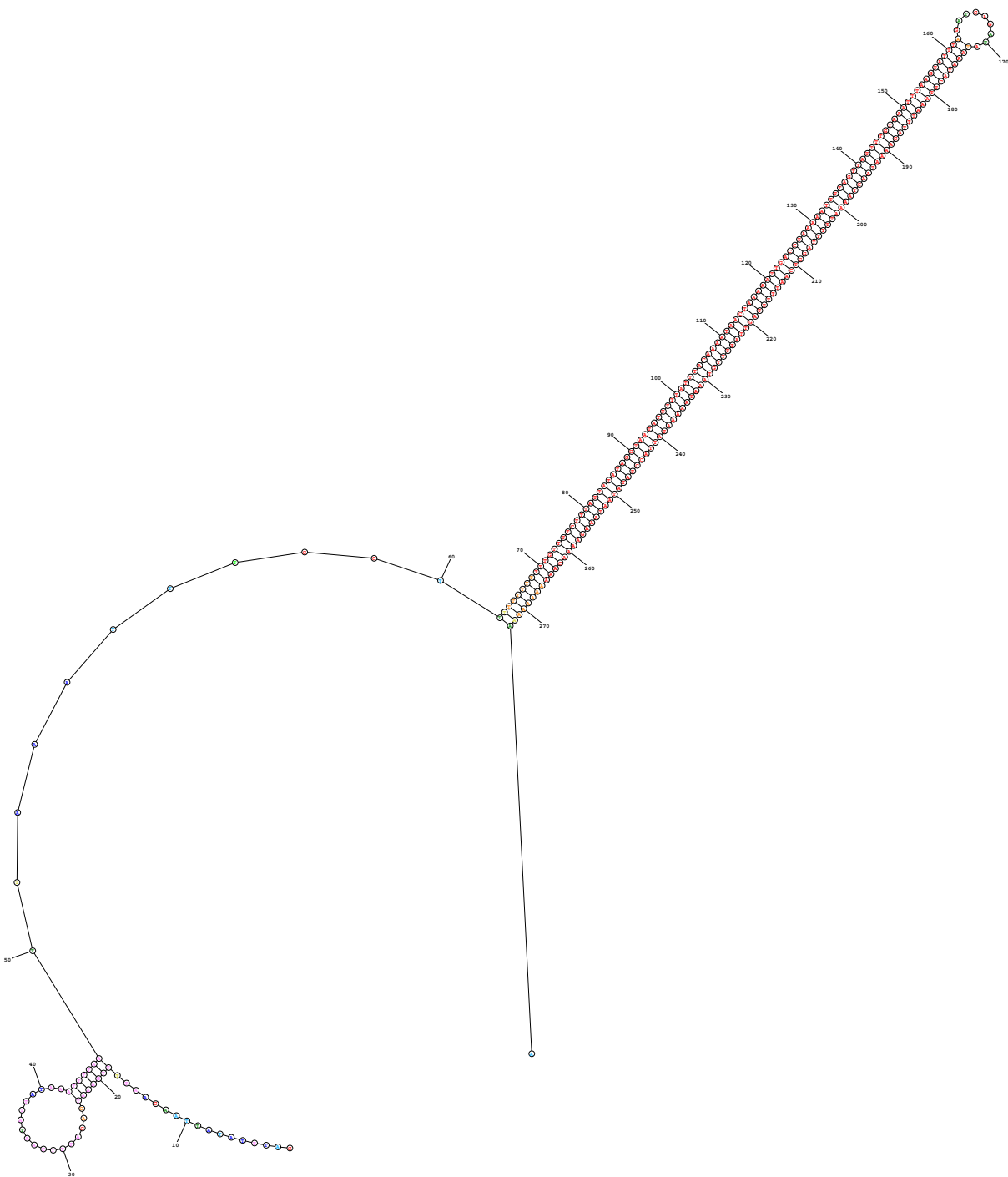
80% > Probability >= 70%

70% > Probability >= 60%

60% > Probability >= 50%

50% > Probability

ENERGY = -128.0 04/21/26 11:04:38



Probability >= 99%

99% > Probability >= 95%

95% > Probability >= 90%

90% > Probability >= 80%

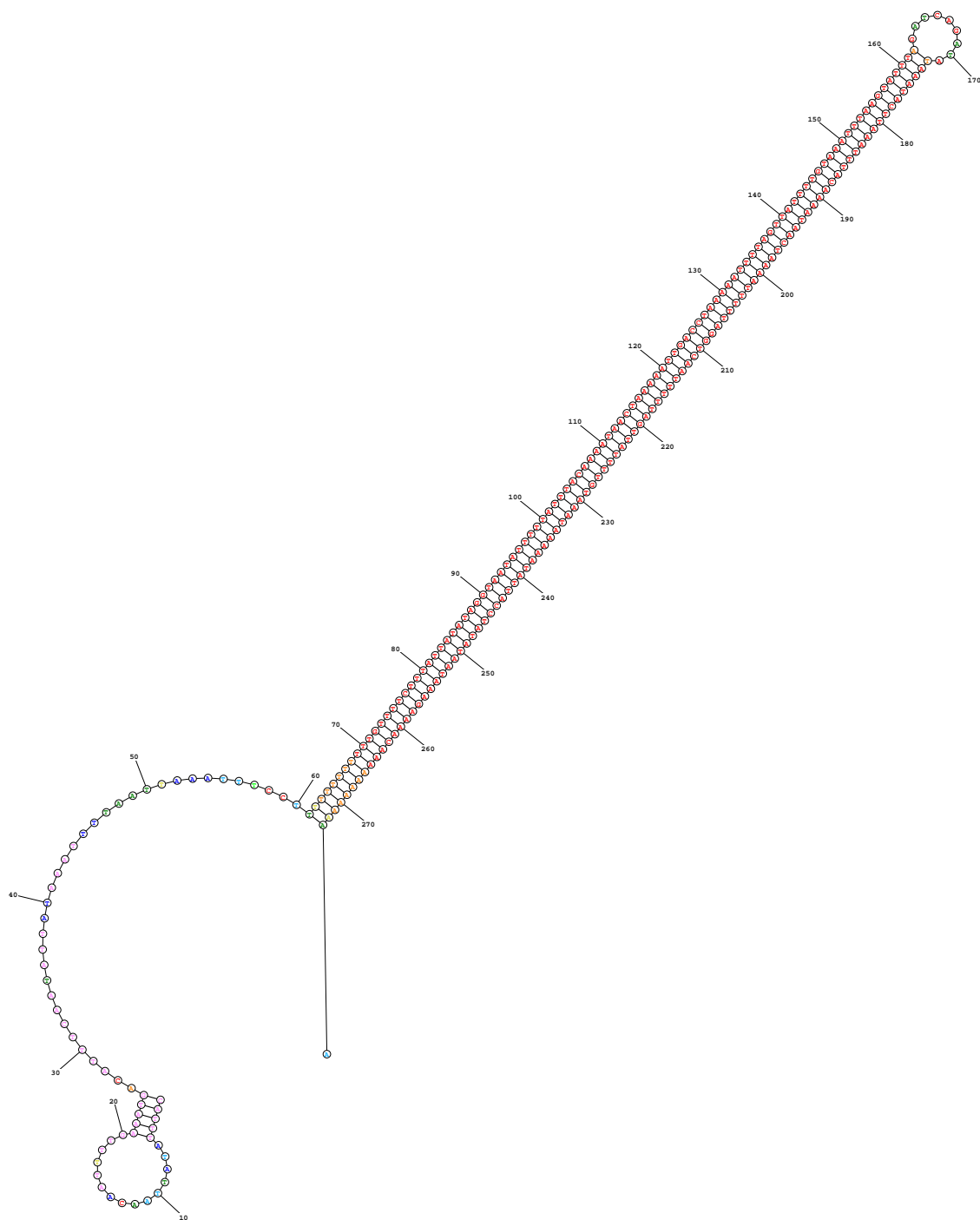
80% > Probability >= 70%

70% > Probability >= 60%

60% > Probability >= 50%

50% > Probability

ENERGY = -126.4 04/21/26 11:04:38



Probability \geq 99%

99% > Probability \geq 95%

95% > Probability \geq 90%

90% > Probability \geq 80%

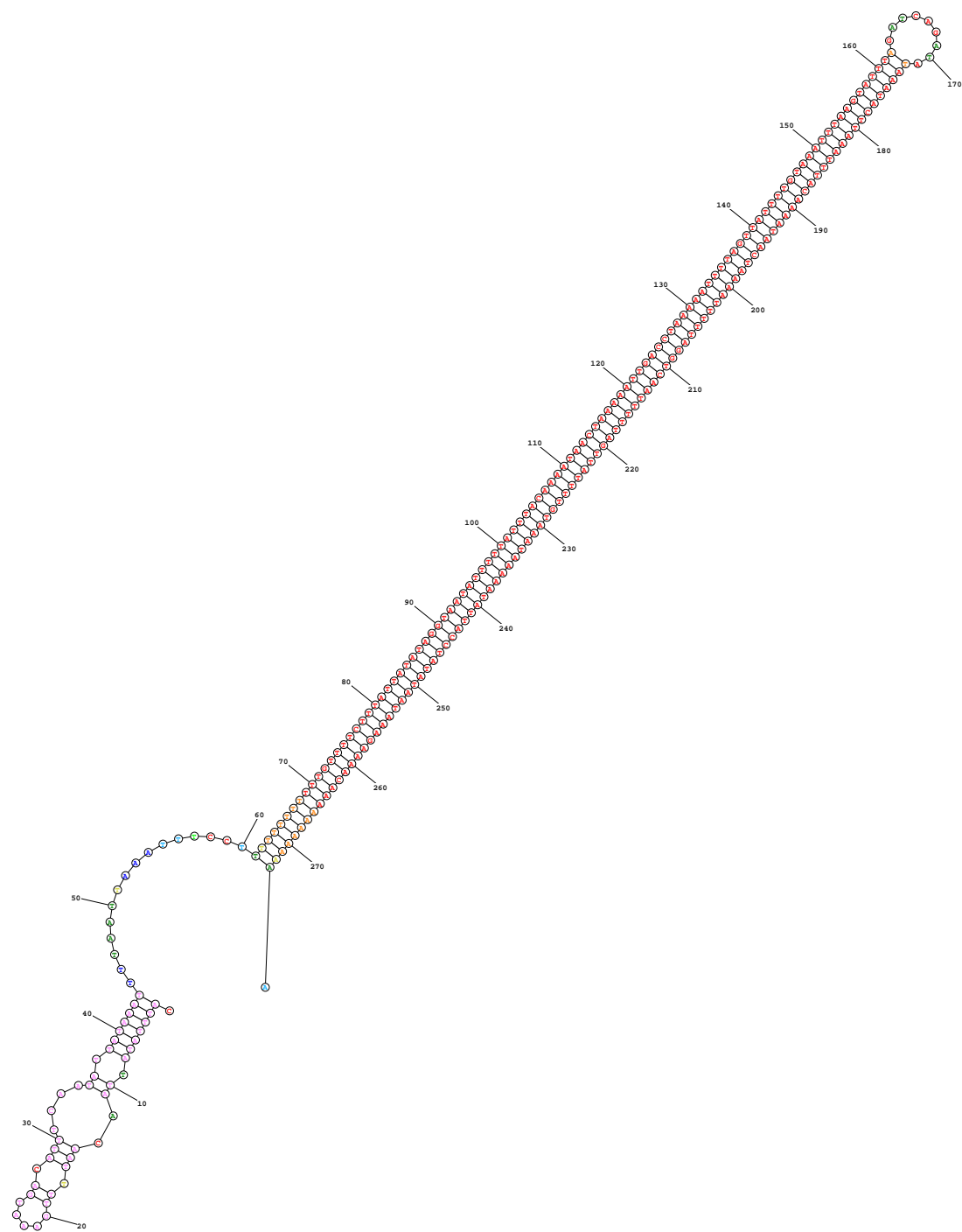
80% > Probability \geq 70%

70% > Probability \geq 60%

60% > Probability \geq 50%

50% > Probability

ENERGY = -125.3 04/21/26 11:04:38



Probability >= 99%

99% > Probability >= 95%

95% > Probability >= 90%

90% > Probability >= 80%

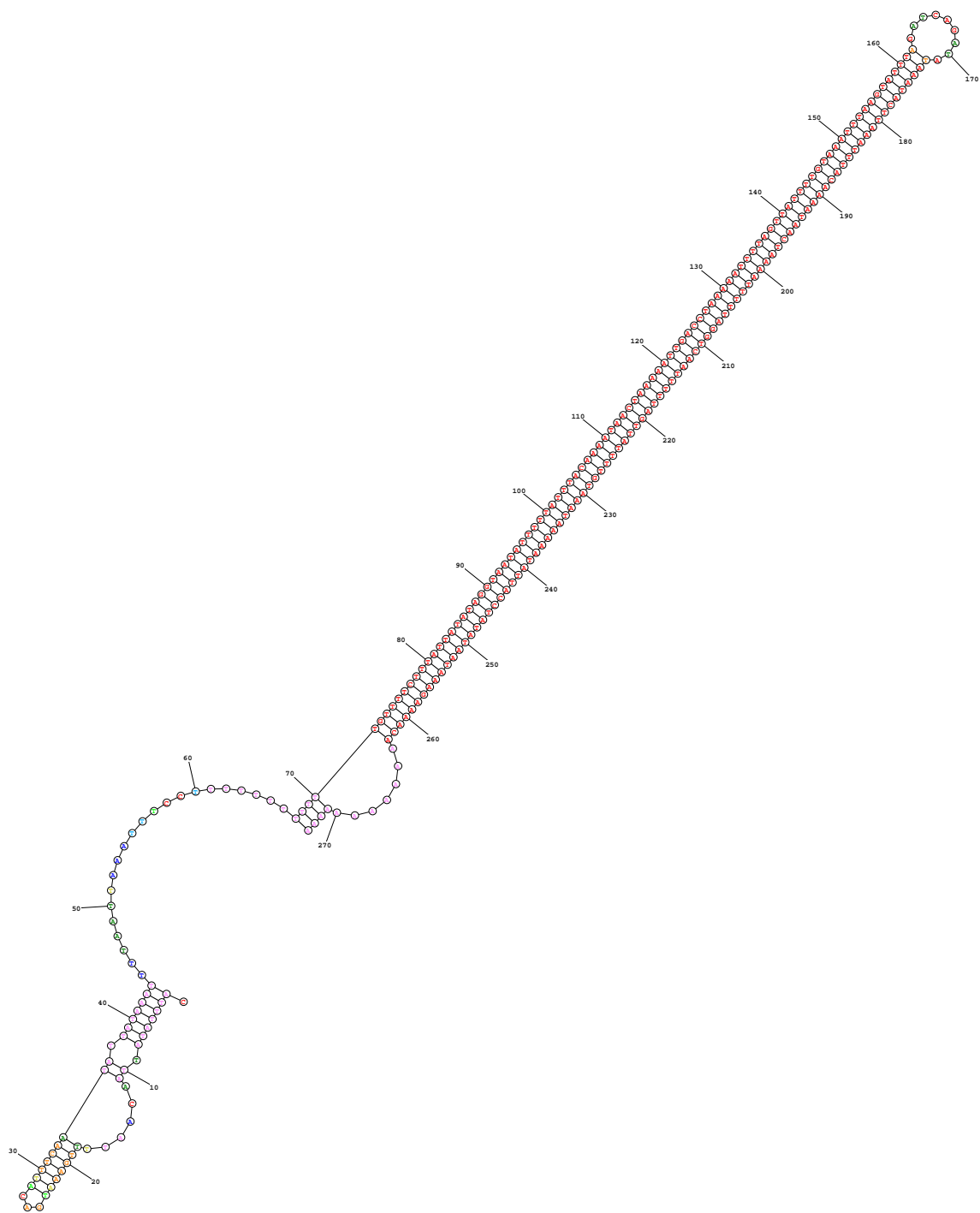
80% > Probability >= 70%

70% > Probability >= 60%

60% > Probability >= 50%

50% > Probability

ENERGY = -123.8 04/21/26 11:04:38



Probability >= 99%

99% > Probability >= 95%

95% > Probability >= 90%

90% > Probability >= 80%

80% > Probability >= 70%

70% > Probability >= 60%

60% > Probability >= 50%

50% > Probability

ENERGY = -116.7 04/21/26 11:04:38