

Probability >= 99%

99% > Probability >= 95%

95% > Probability >= 90%

90% > Probability >= 80%

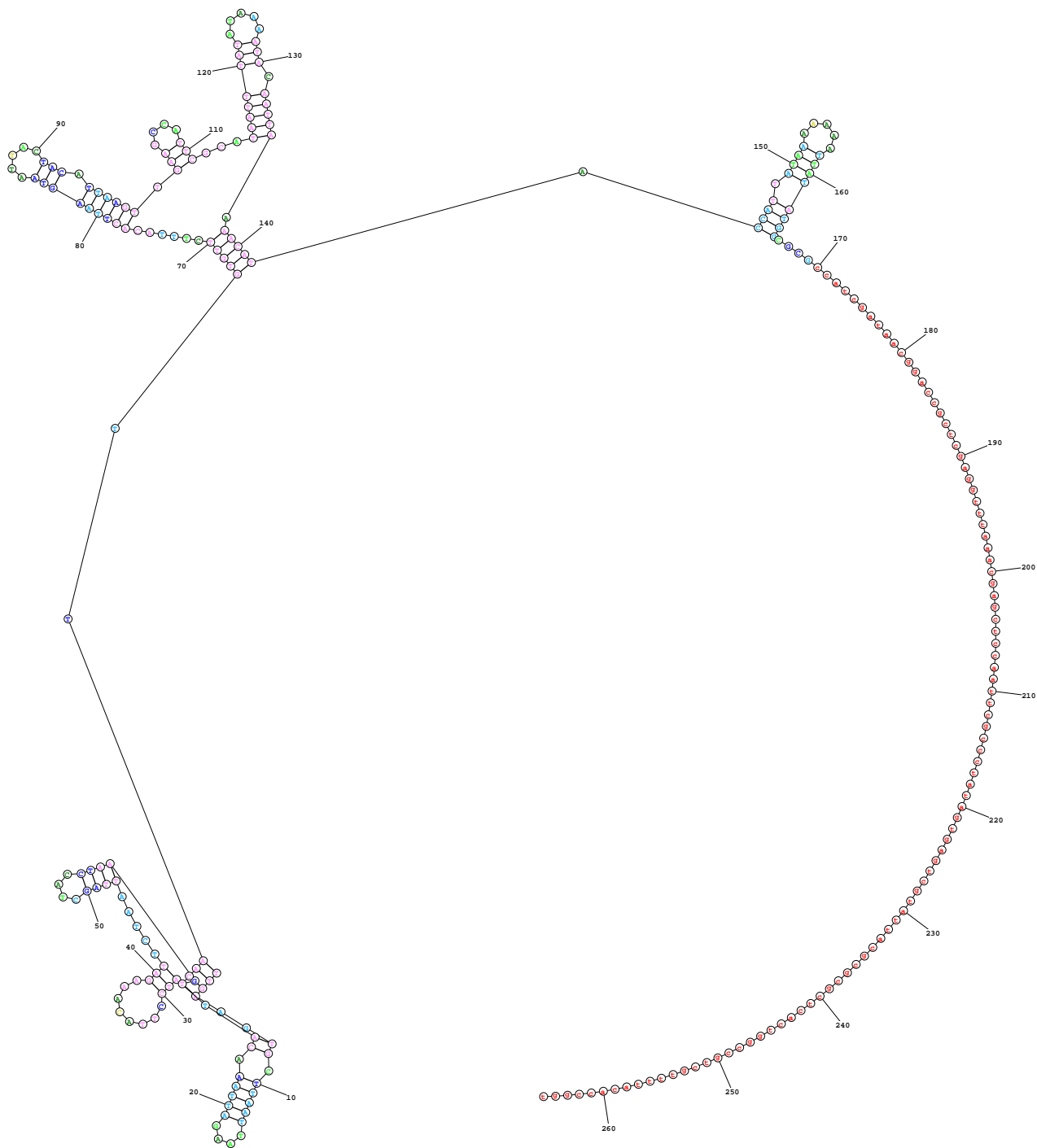
80% > Probability >= 70%

70% > Probability >= 60%

60% > Probability >= 50%

50% > Probability

ENERGY = -15.1 Sry 3'UTR H1



Probability >= 99%

99% > Probability >= 95%

95% > Probability >= 90%

90% > Probability >= 80%

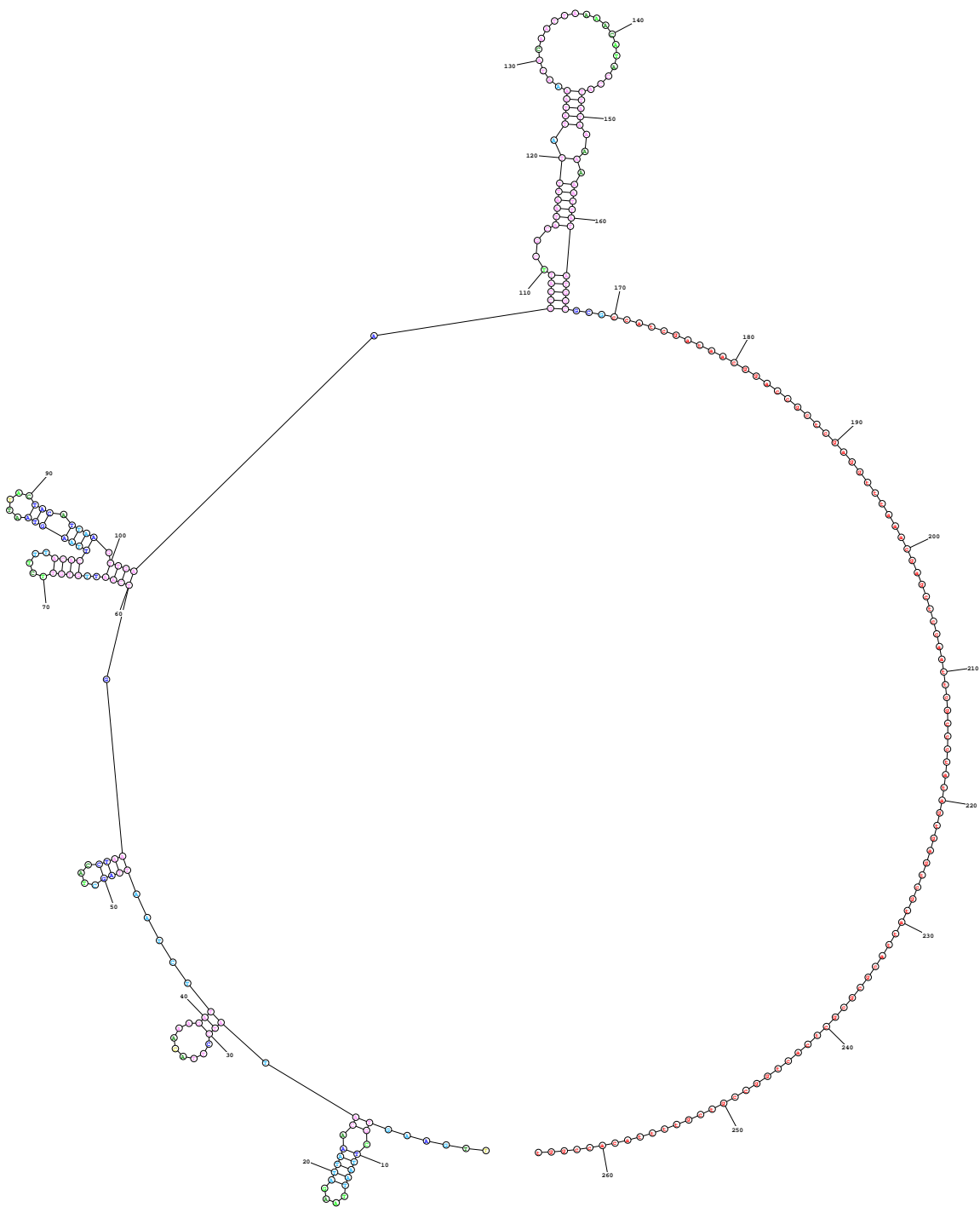
80% > Probability >= 70%

70% > Probability >= 60%

60% > Probability >= 50%

50% > Probability

ENERGY = -15.0 Sry 3'UTR H1



Probability \geq 99%

99% $>$ Probability \geq 95%

95% $>$ Probability \geq 90%

90% $>$ Probability \geq 80%

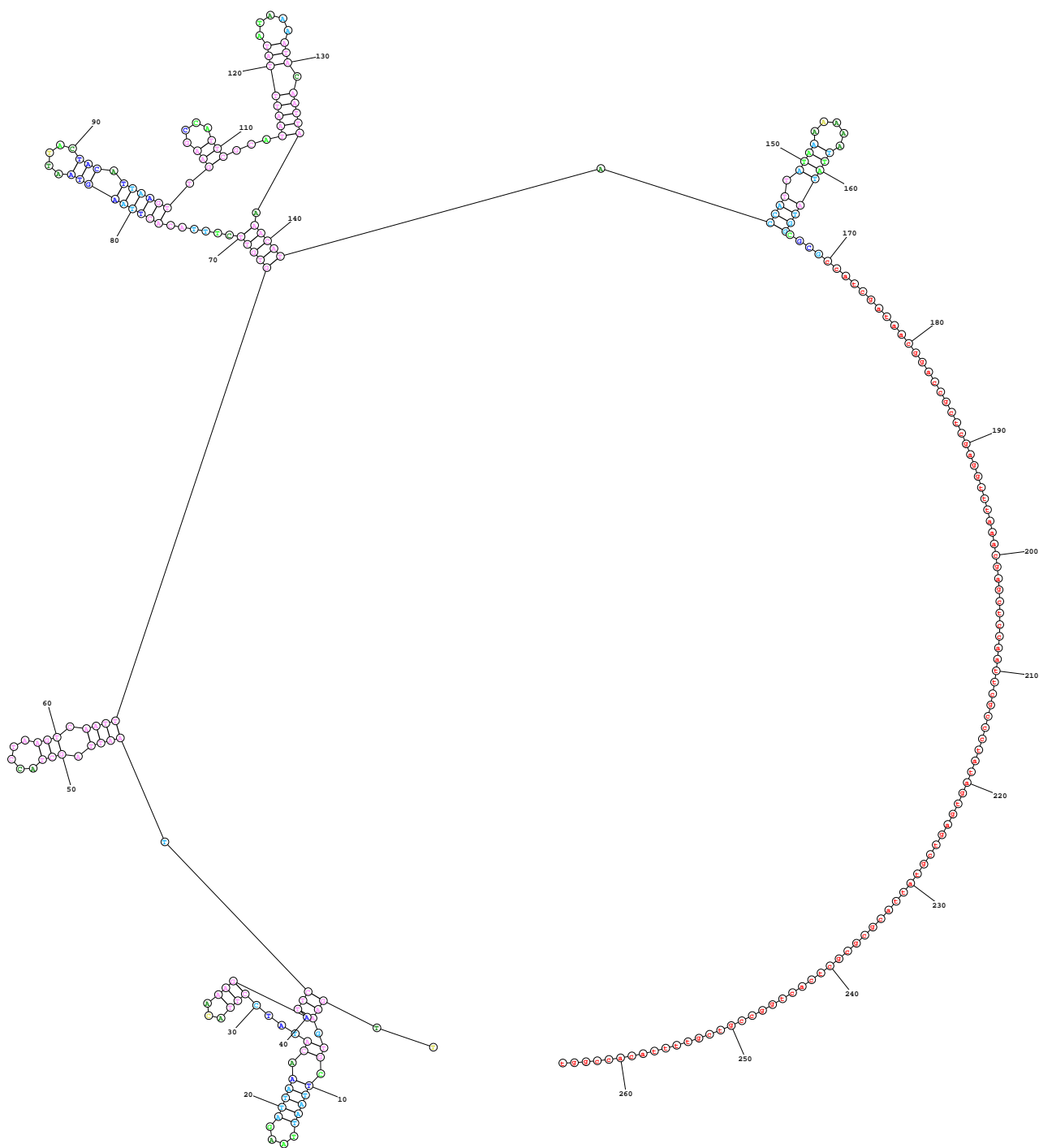
80% $>$ Probability \geq 70%

70% $>$ Probability \geq 60%

60% $>$ Probability \geq 50%

50% $>$ Probability

ENERGY = -14.4 Sry 3'UTR H1



Probability >= 99%

99% > Probability >= 95%

95% > Probability >= 90%

90% > Probability >= 80%

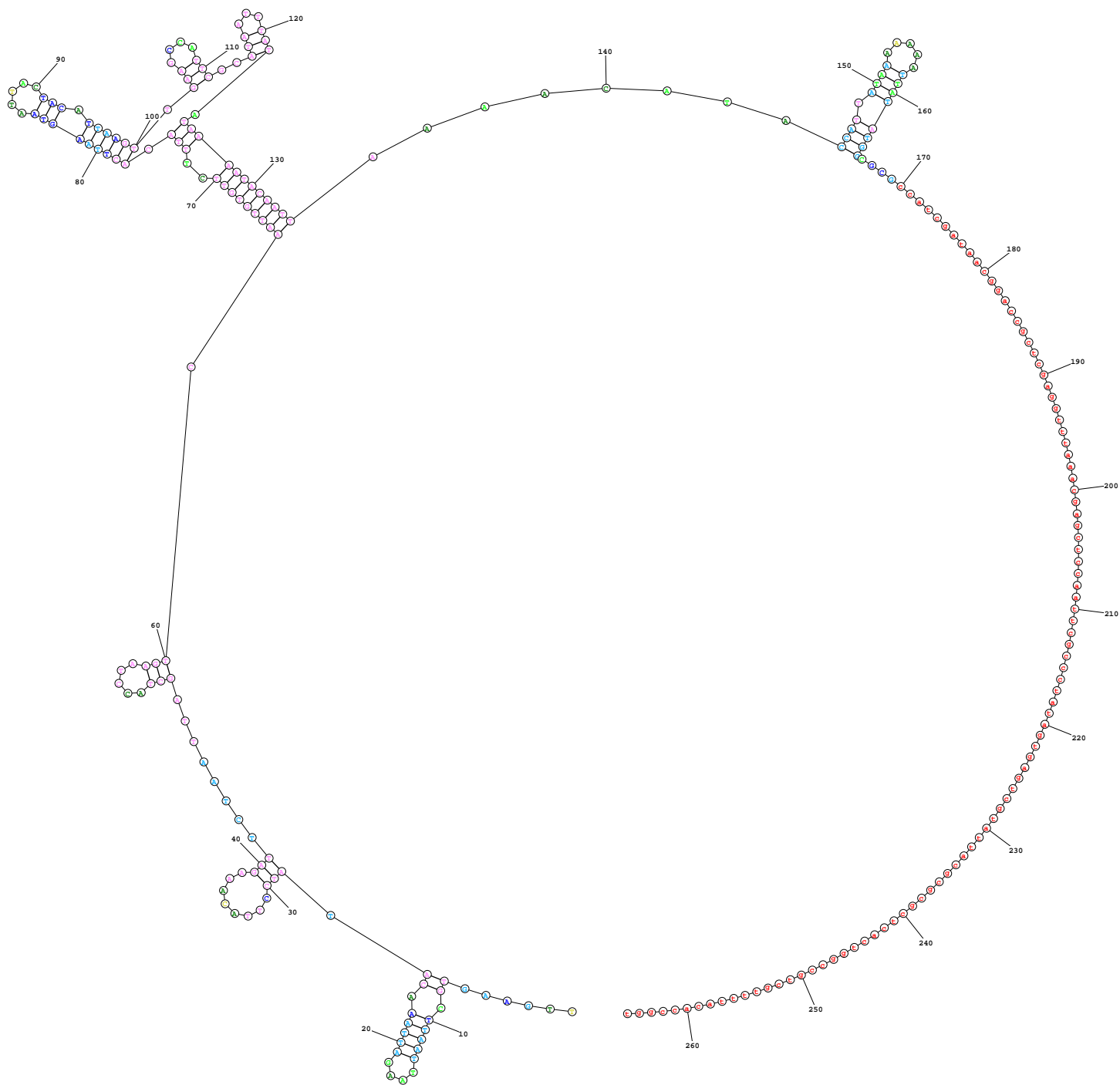
80% > Probability >= 70%

70% > Probability >= 60%

60% > Probability >= 50%

50% > Probability

ENERGY = -14.1 Sry 3'UTR H1



Probability >= 99%

99% > Probability >= 95%

95% > Probability >= 90%

90% > Probability >= 80%

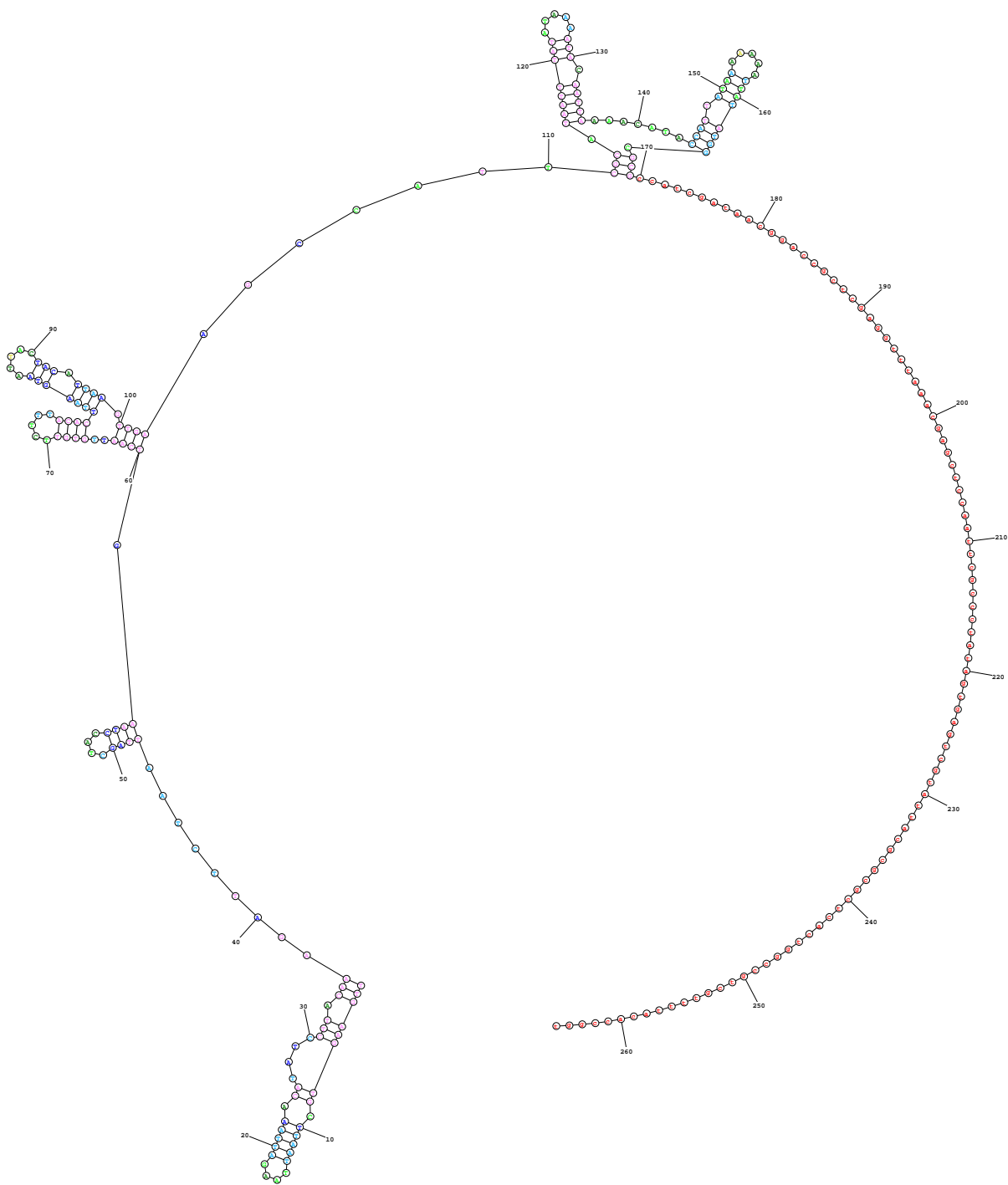
80% > Probability >= 70%

70% > Probability >= 60%

60% > Probability >= 50%

50% > Probability

ENERGY = -14.0 Sry 3'UTR H1



Probability \geq **99%**

99% $>$ **Probability** \geq **95%**

95% $>$ **Probability** \geq **90%**

90% $>$ **Probability** \geq **80%**

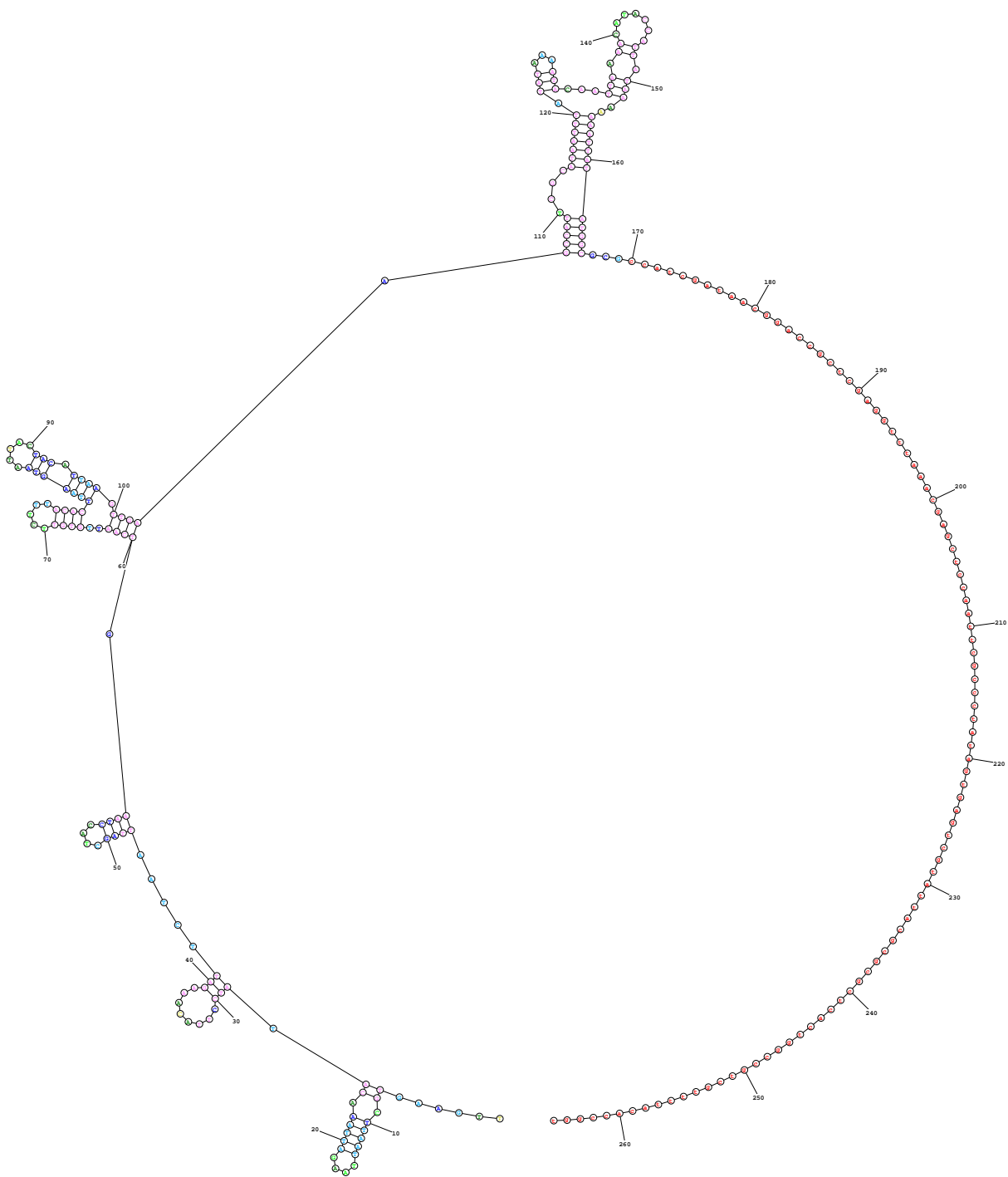
80% $>$ **Probability** \geq **70%**

70% $>$ **Probability** \geq **60%**

60% $>$ **Probability** \geq **50%**

50% $>$ **Probability**

ENERGY = -14.0 Sry 3'UTR H1



Probability >= 99%

99% > Probability >= 95%

95% > Probability >= 90%

90% > Probability >= 80%

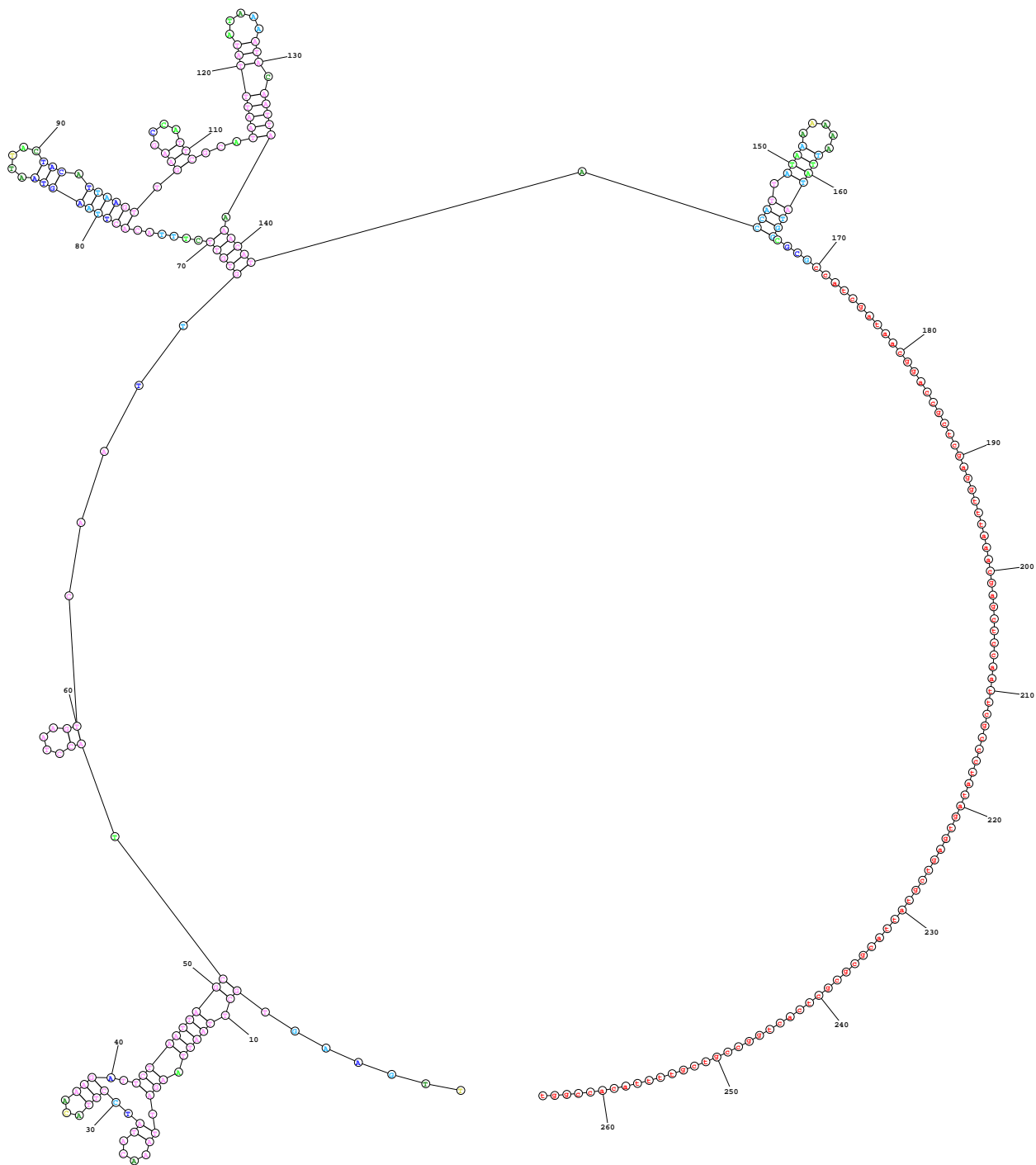
80% > Probability >= 70%

70% > Probability >= 60%

60% > Probability >= 50%

50% > Probability

ENERGY = -14.0 Sry 3'UTR H1



Probability >= 99%

99% > Probability >= 95%

95% > Probability >= 90%

90% > Probability >= 80%

80% > Probability >= 70%

70% > Probability >= 60%

60% > Probability >= 50%

50% > Probability

ENERGY = -13.6 Sry 3'UTR H1