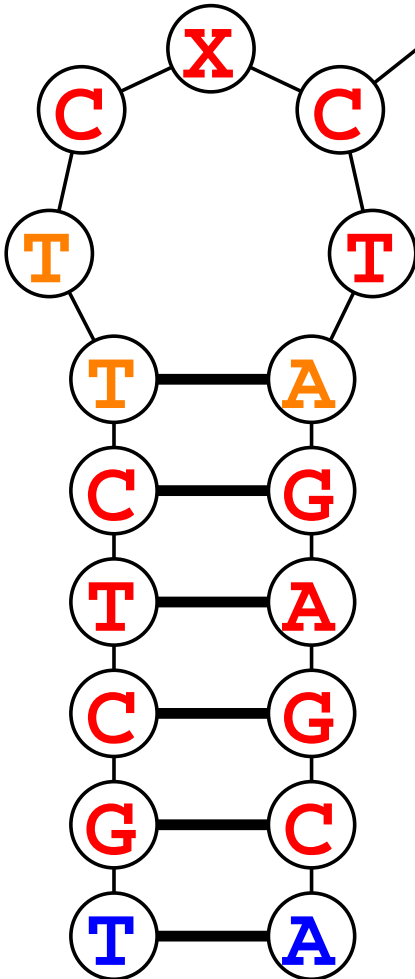


10



Probability >= 99%

99% > Probability >= 95%

95% > Probability >= 90%

90% > Probability >= 80%

80% > Probability >= 70%

70% > Probability >= 60%

60% > Probability >= 50%

50% > Probability

ENERGY = 1.5 03/30/26 09:47:15