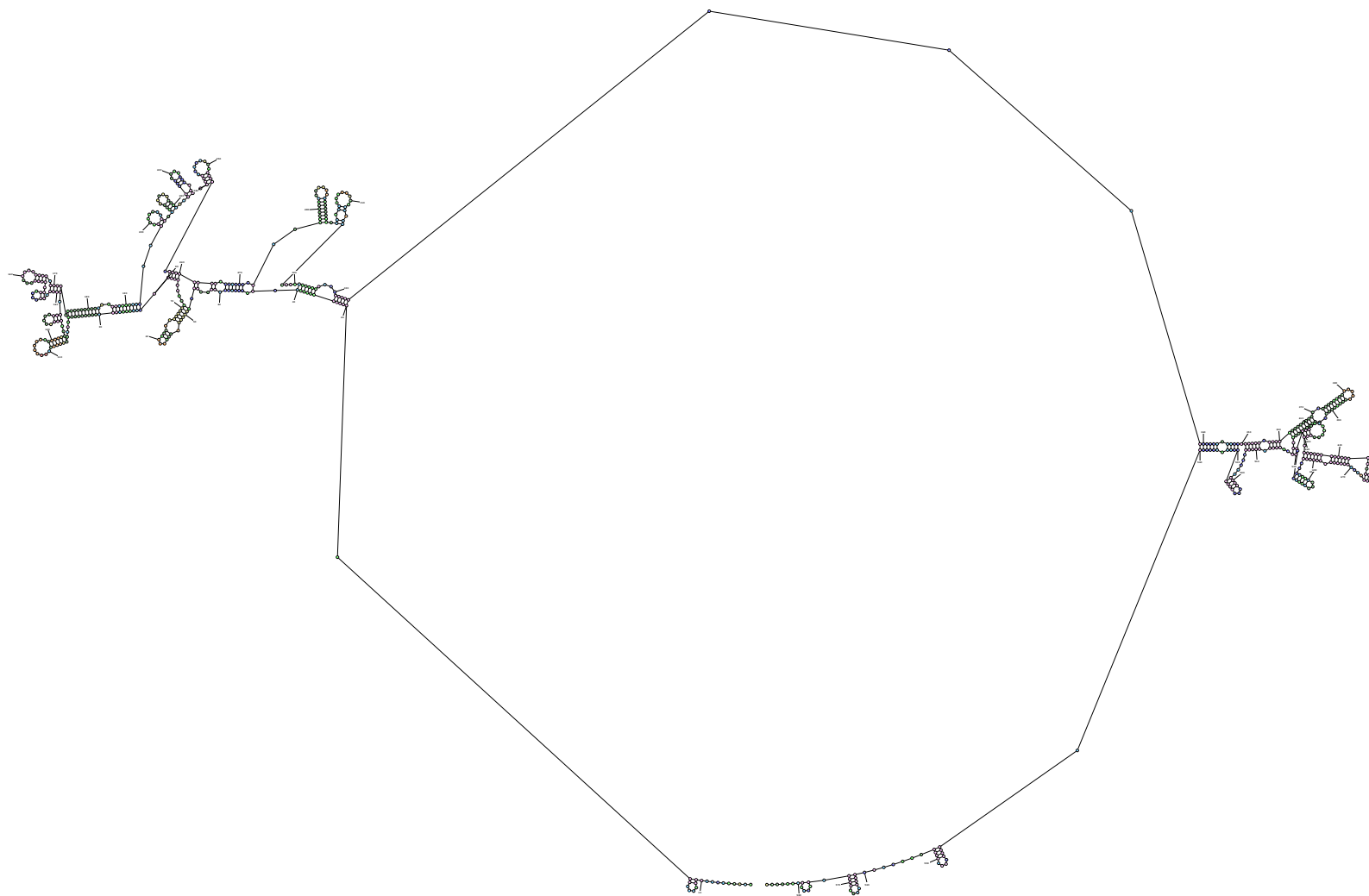


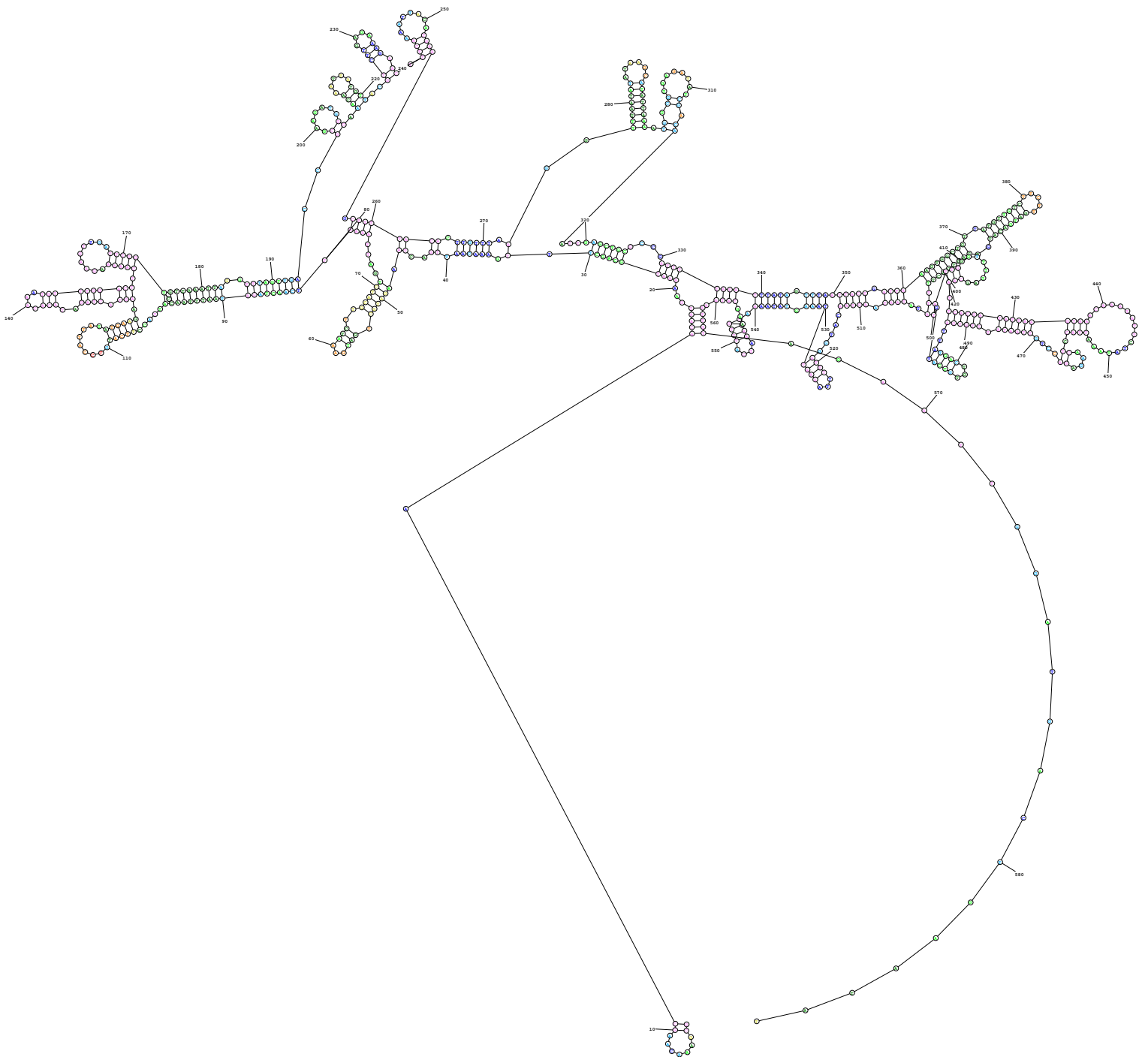
Probability >= 99%
99% > Probability >= 95%
95% > Probability >= 90%
90% > Probability >= 80%
80% > Probability >= 70%
70% > Probability >= 60%
60% > Probability >= 50%
50% > Probability

ENERGY = -67.7 03/29/26 14:53:38



Probability >= 99%
99% > Probability >= 95%
95% > Probability >= 90%
90% > Probability >= 80%
80% > Probability >= 70%
70% > Probability >= 60%
60% > Probability >= 50%
50% > Probability

ENERGY = -67.6 03/29/26 14:53:38



Probability >= 99%

99% > Probability >= 95%

95% > Probability >= 90%

90% > Probability >= 80%

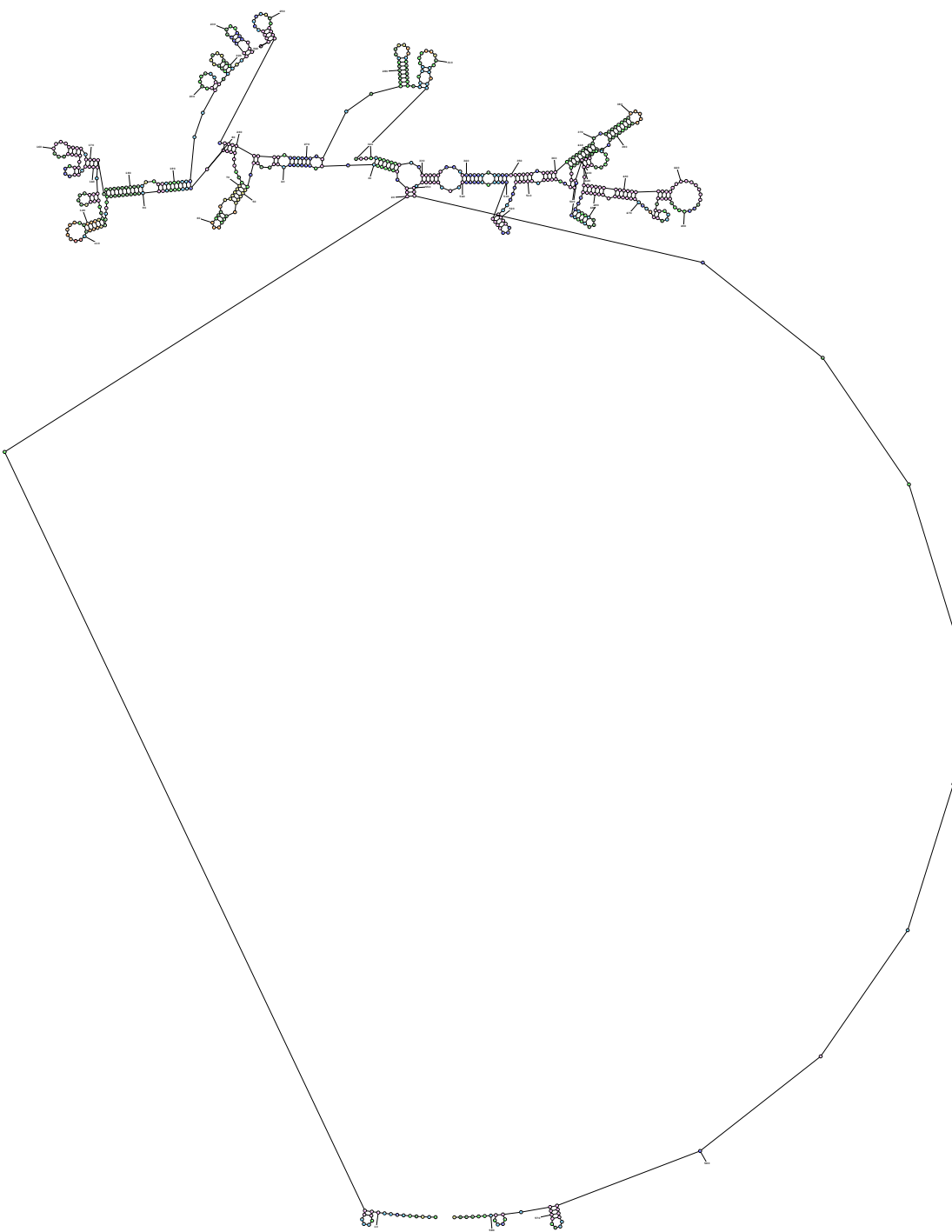
80% > Probability >= 70%

70% > Probability >= 60%

60% > Probability >= 50%

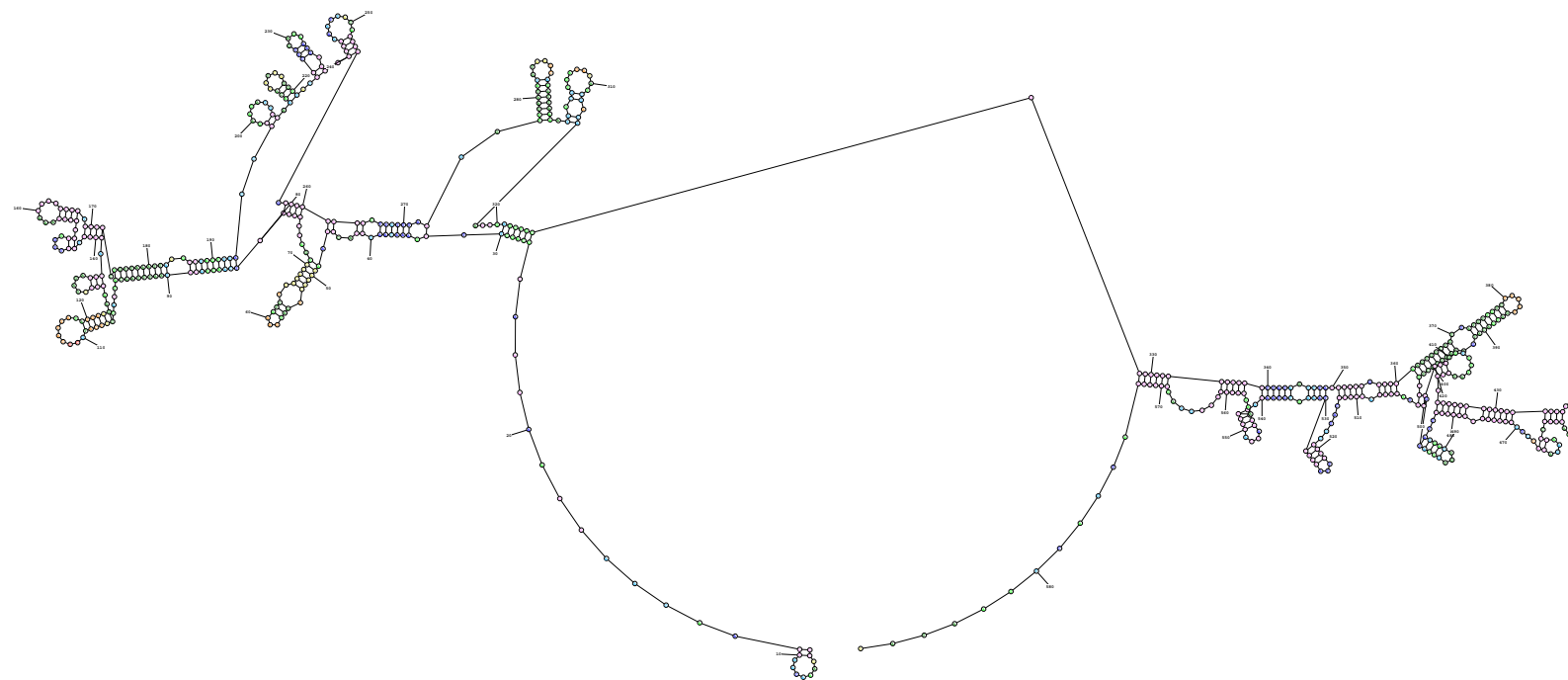
50% > Probability

ENERGY = -67.5 03/29/26 14:53:38



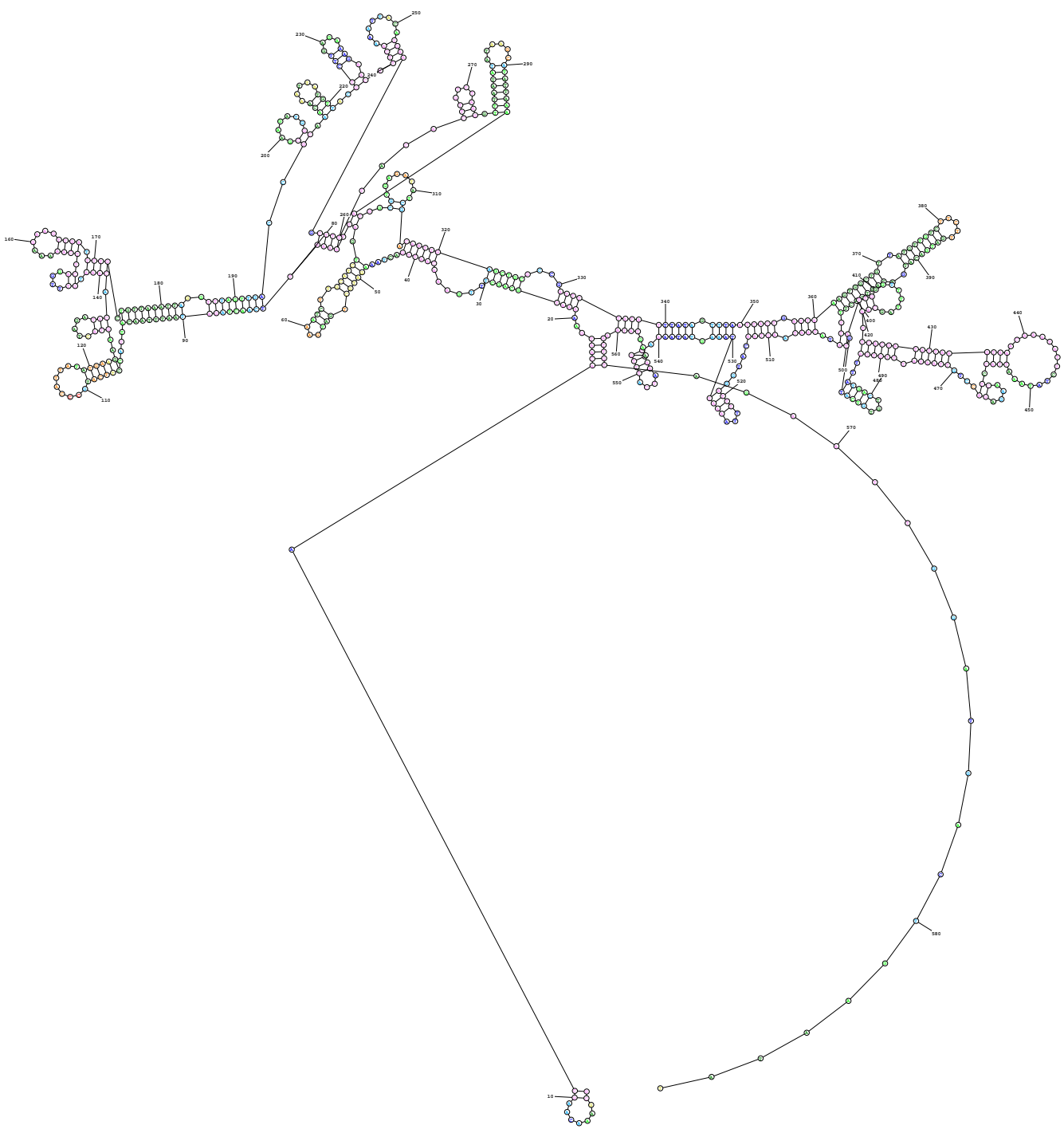
Probability >= 99%
99% > Probability >= 95%
95% > Probability >= 90%
90% > Probability >= 80%
80% > Probability >= 70%
70% > Probability >= 60%
60% > Probability >= 50%
50% > Probability

ENERGY = -67.3 03/29/26 14:53:38



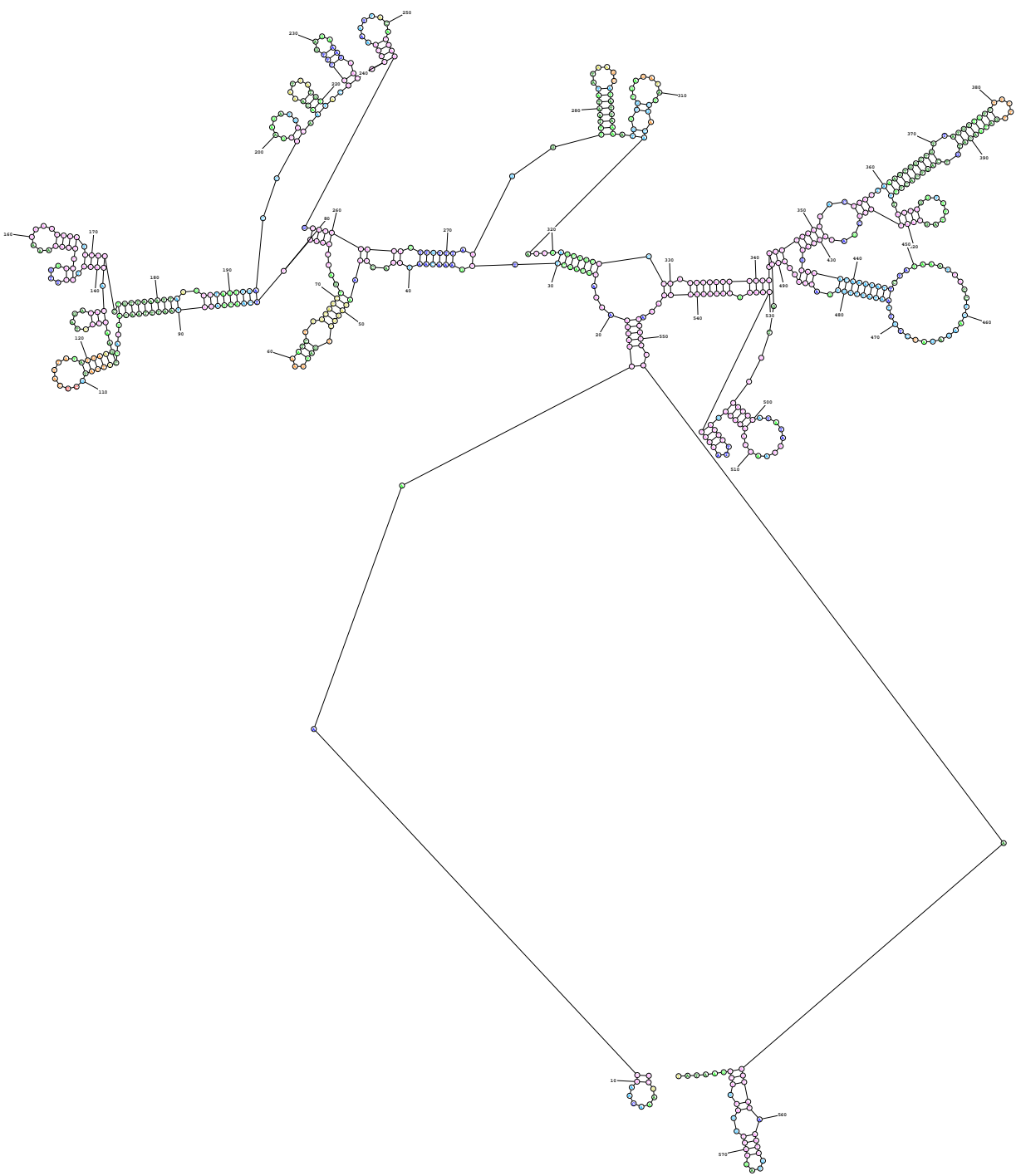
Probability >= 99%
99% > Probability >= 95%
95% > Probability >= 90%
90% > Probability >= 80%
80% > Probability >= 70%
70% > Probability >= 60%
60% > Probability >= 50%
50% > Probability

ENERGY = -67.3 03/29/26 14:53:38



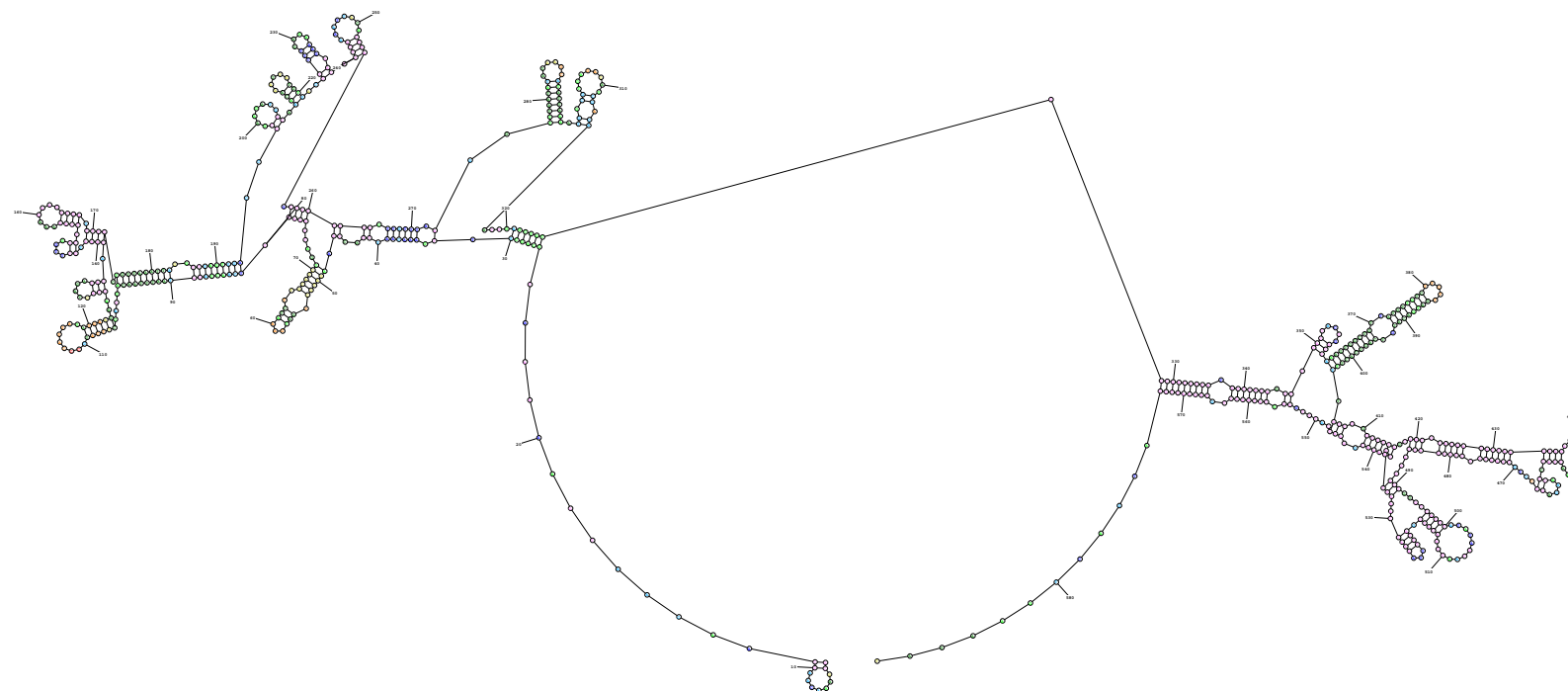
Probability >= 99%
99% > Probability >= 95%
95% > Probability >= 90%
90% > Probability >= 80%
80% > Probability >= 70%
70% > Probability >= 60%
60% > Probability >= 50%
50% > Probability

ENERGY = -67.1 03/29/26 14:53:38



Probability >= 99%
99% > Probability >= 95%
95% > Probability >= 90%
90% > Probability >= 80%
80% > Probability >= 70%
70% > Probability >= 60%
60% > Probability >= 50%
50% > Probability

ENERGY = -67.0 03/29/26 14:53:38



Probability >= 99%

99% > Probability >= 95%

95% > Probability >= 90%

90% > Probability >= 80%

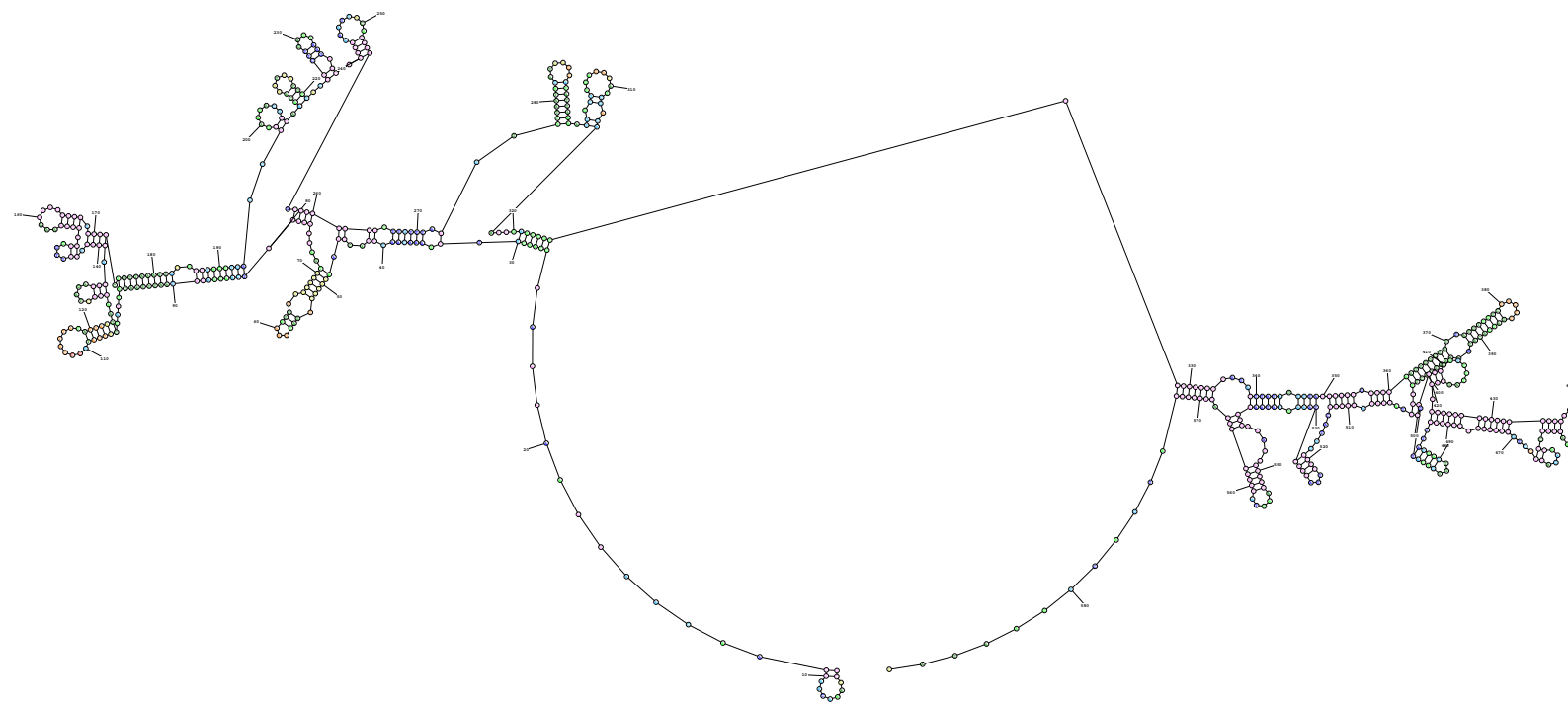
80% > Probability >= 70%

70% > Probability >= 60%

60% > Probability >= 50%

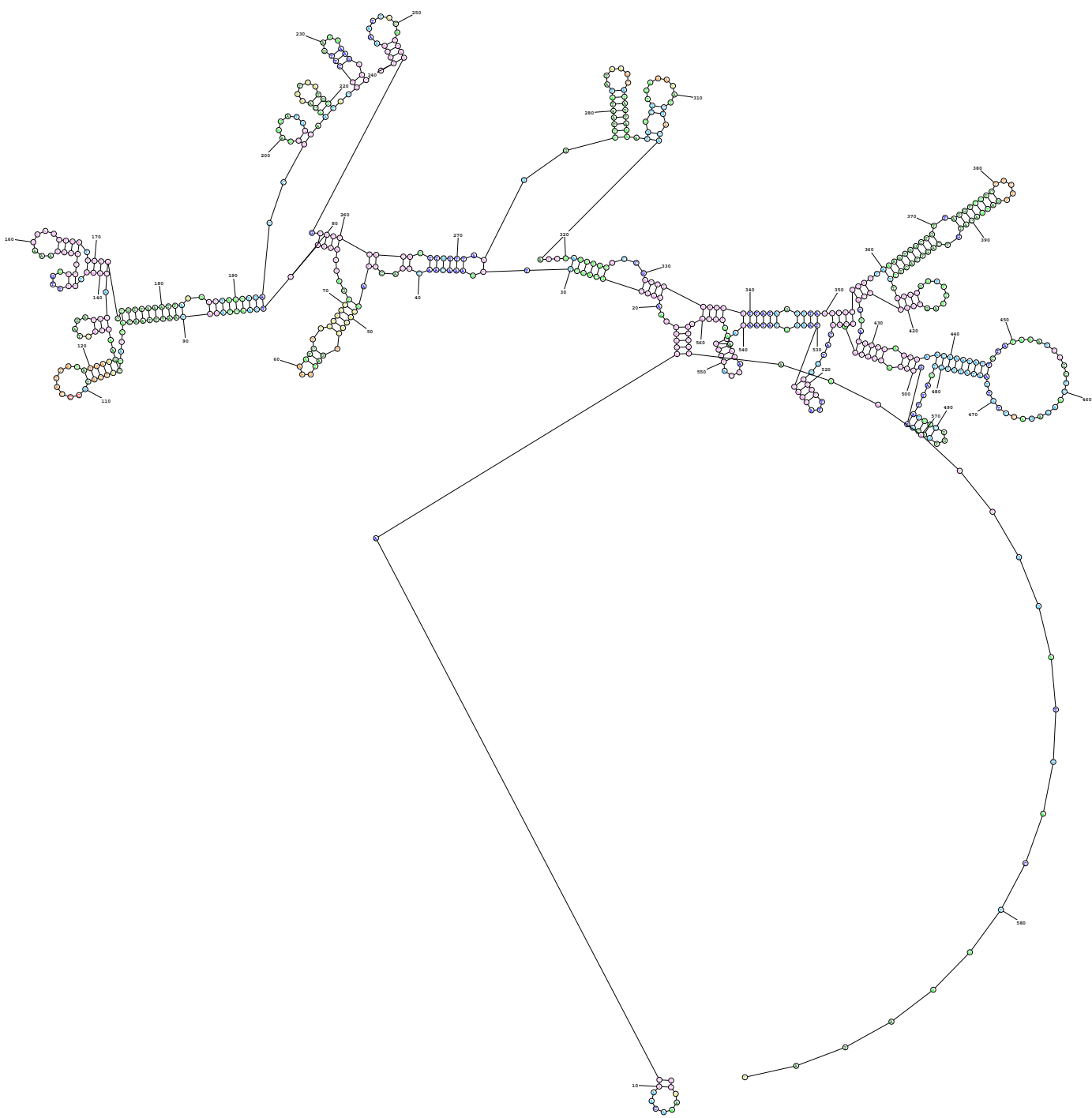
50% > Probability

ENERGY = -66.9 03/29/26 14:53:38



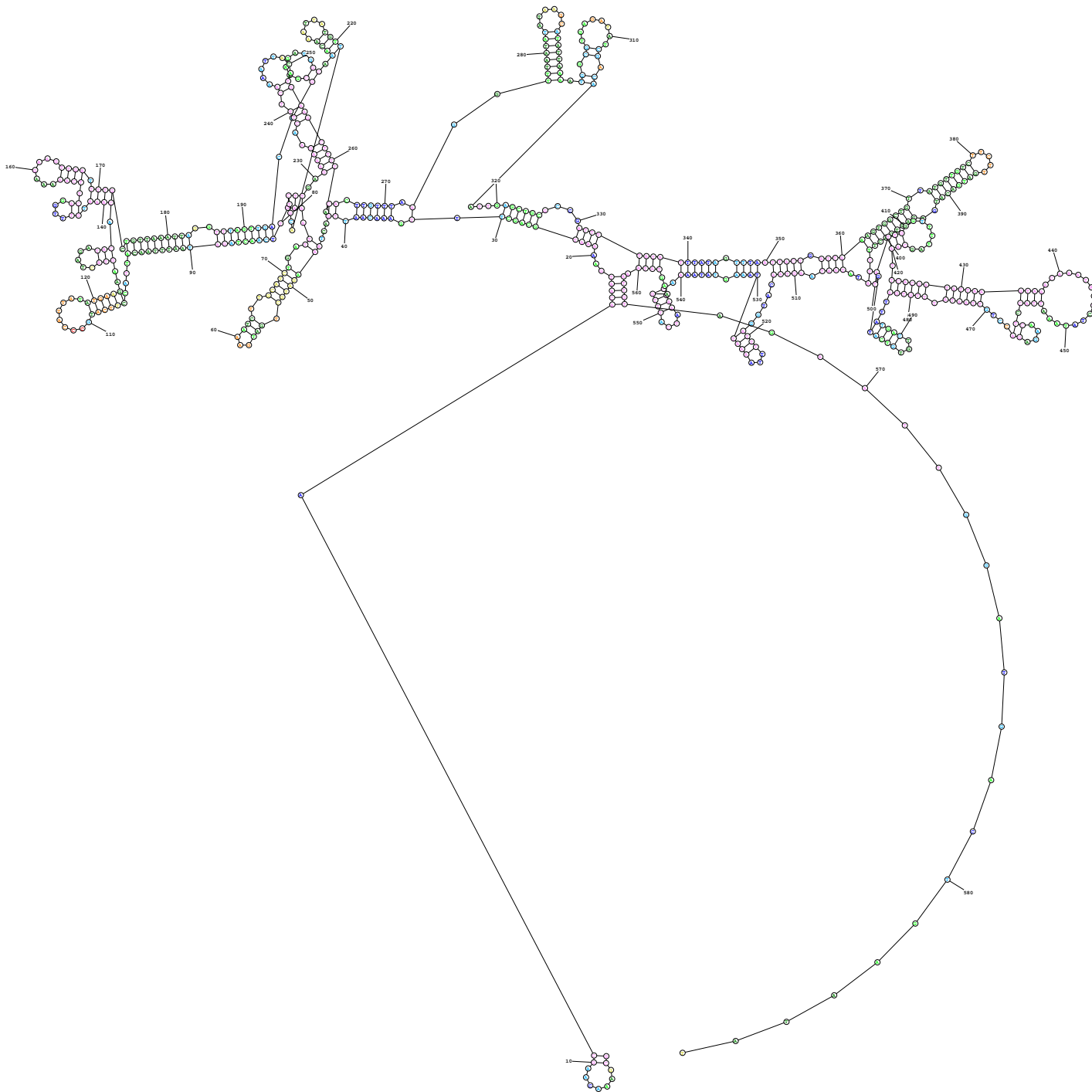
Probability >= 99%
99% > Probability >= 95%
95% > Probability >= 90%
90% > Probability >= 80%
80% > Probability >= 70%
70% > Probability >= 60%
60% > Probability >= 50%
50% > Probability

ENERGY = -66.9 03/29/26 14:53:38



Probability >= 99%
99% > Probability >= 95%
95% > Probability >= 90%
90% > Probability >= 80%
80% > Probability >= 70%
70% > Probability >= 60%
60% > Probability >= 50%
50% > Probability

ENERGY = -66.7 03/29/26 14:53:38



Probability \geq 99%

99% $>$ Probability \geq 95%

95% $>$ Probability \geq 90%

90% $>$ Probability \geq 80%

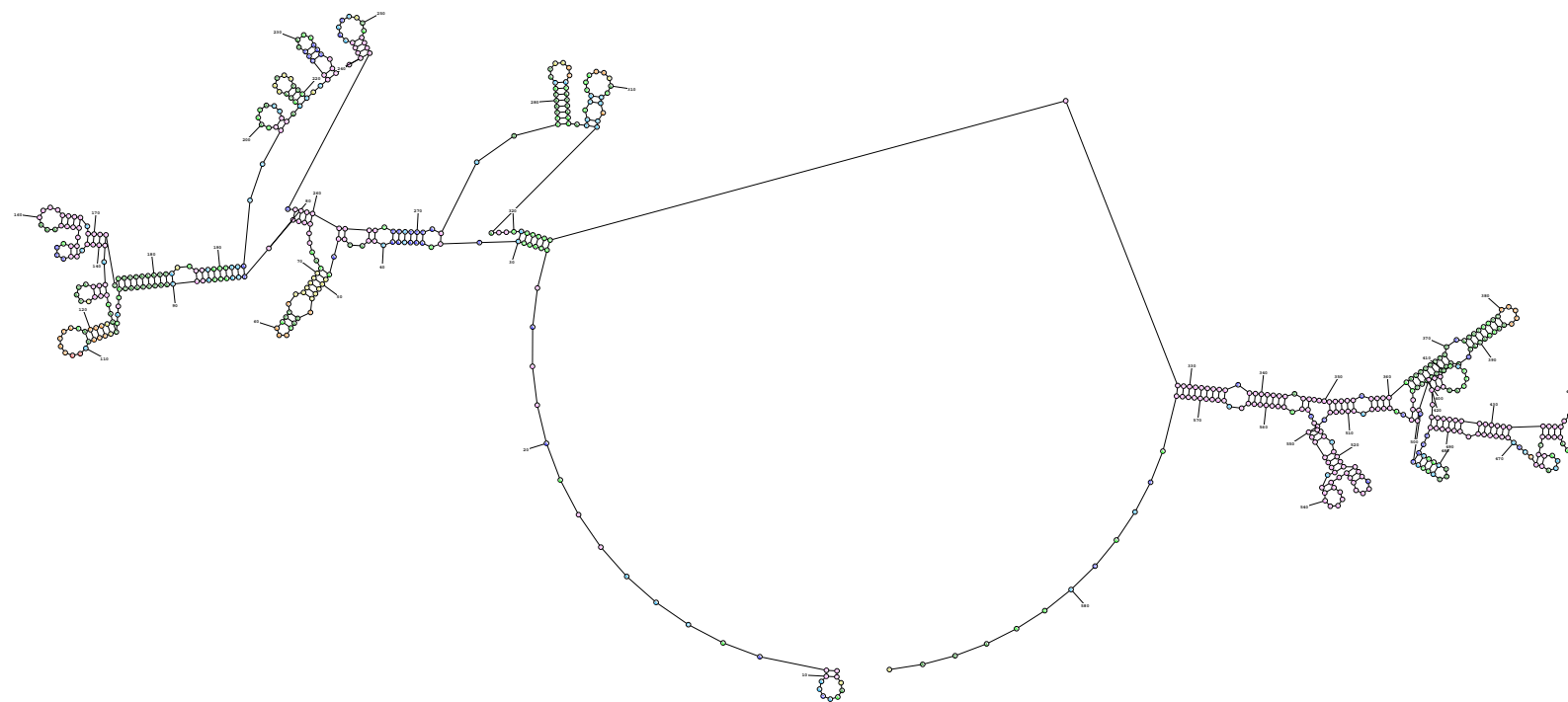
80% $>$ Probability \geq 70%

70% $>$ Probability \geq 60%

60% $>$ Probability \geq 50%

50% $>$ Probability

ENERGY = -66.7 03/29/26 14:53:38



Probability >= 99%

99% > Probability >= 95%

95% > Probability >= 90%

90% > Probability >= 80%

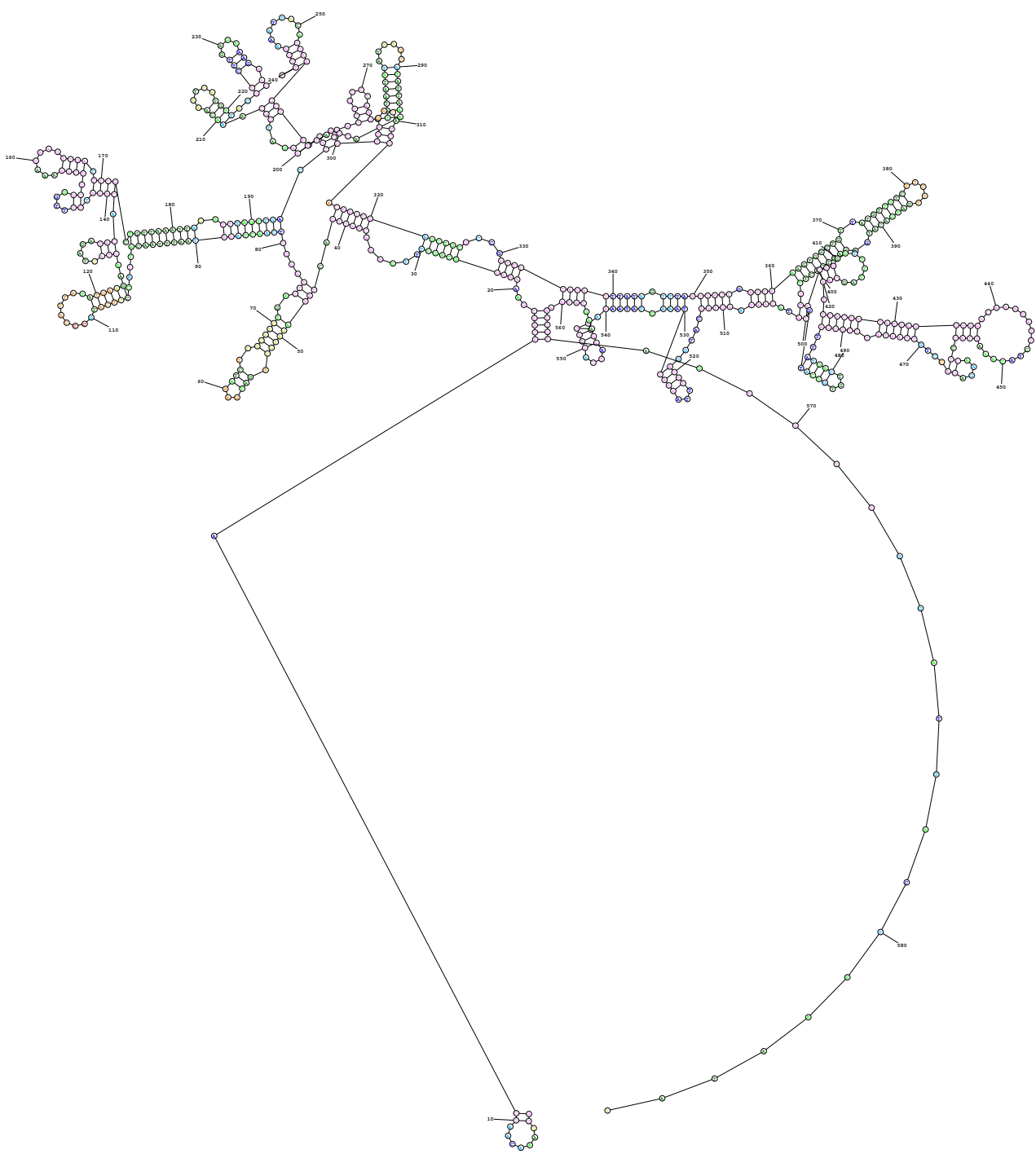
80% > Probability >= 70%

70% > Probability >= 60%

60% > Probability >= 50%

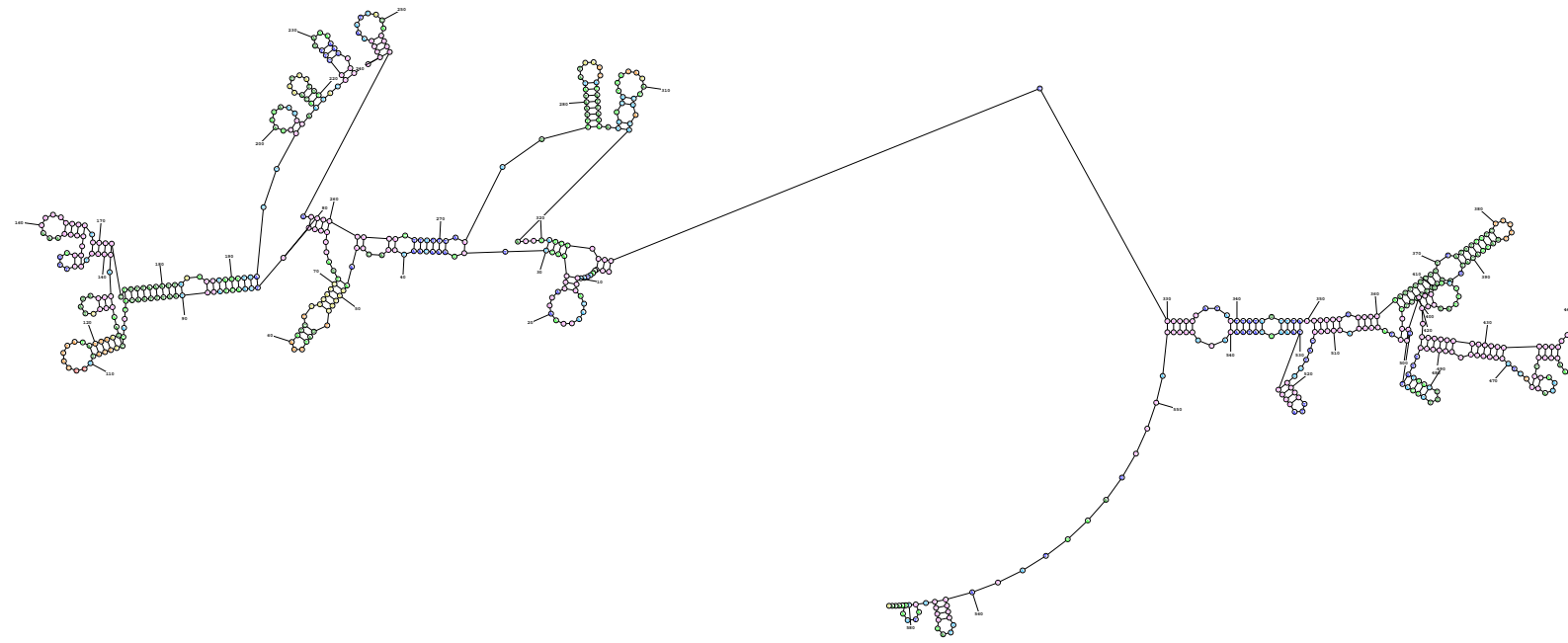
50% > Probability

ENERGY = -66.5 03/29/26 14:53:38



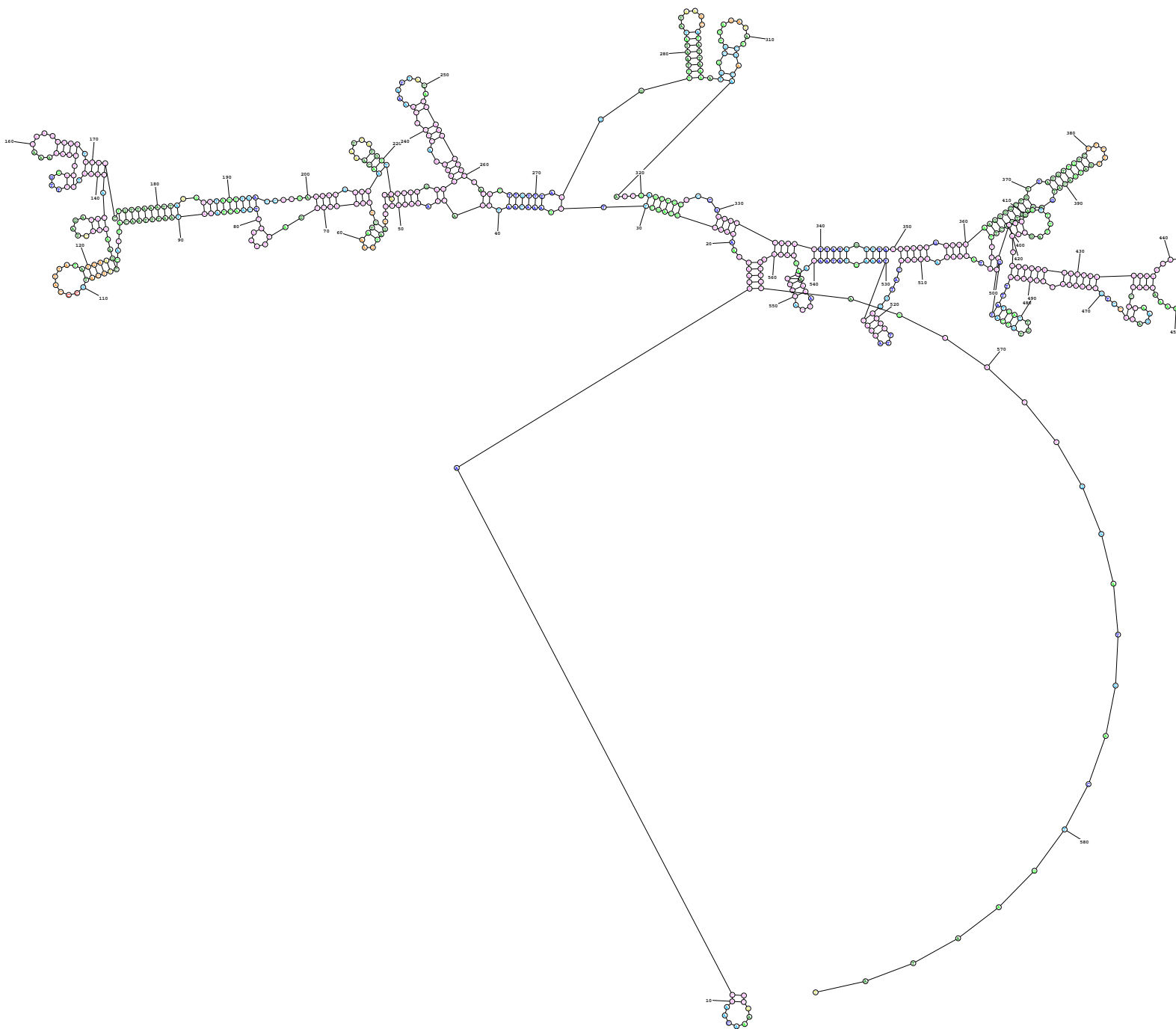
Probability >= 99%
 99% > Probability >= 95%
 95% > Probability >= 90%
 90% > Probability >= 80%
 80% > Probability >= 70%
 70% > Probability >= 60%
 60% > Probability >= 50%
 50% > Probability

ENERGY = -66.4 03/29/26 14:53:38



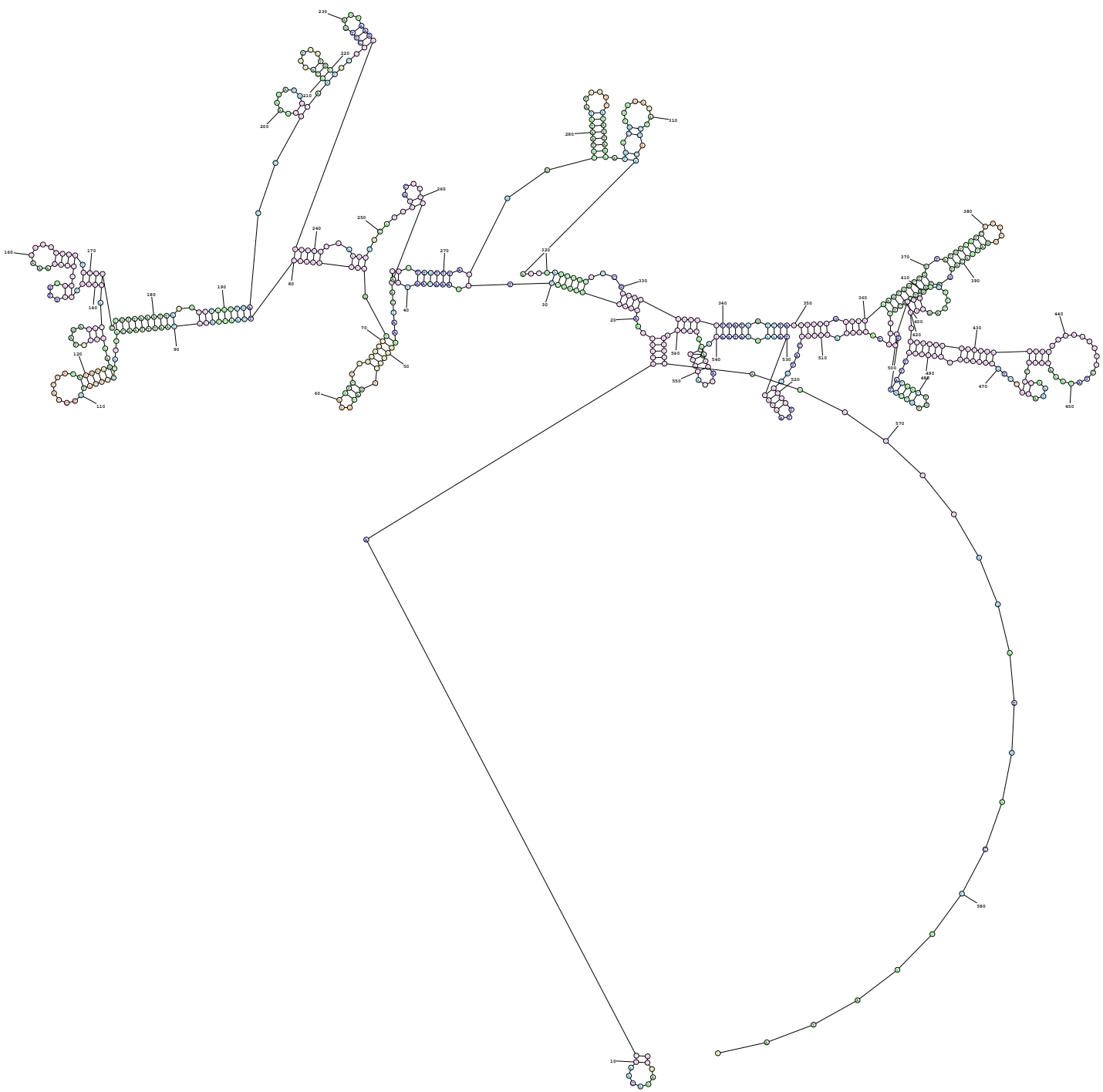
Probability >= 99%
99% > Probability >= 95%
95% > Probability >= 90%
90% > Probability >= 80%
80% > Probability >= 70%
70% > Probability >= 60%
60% > Probability >= 50%
50% > Probability

ENERGY = -66.3 03/29/26 14:53:38



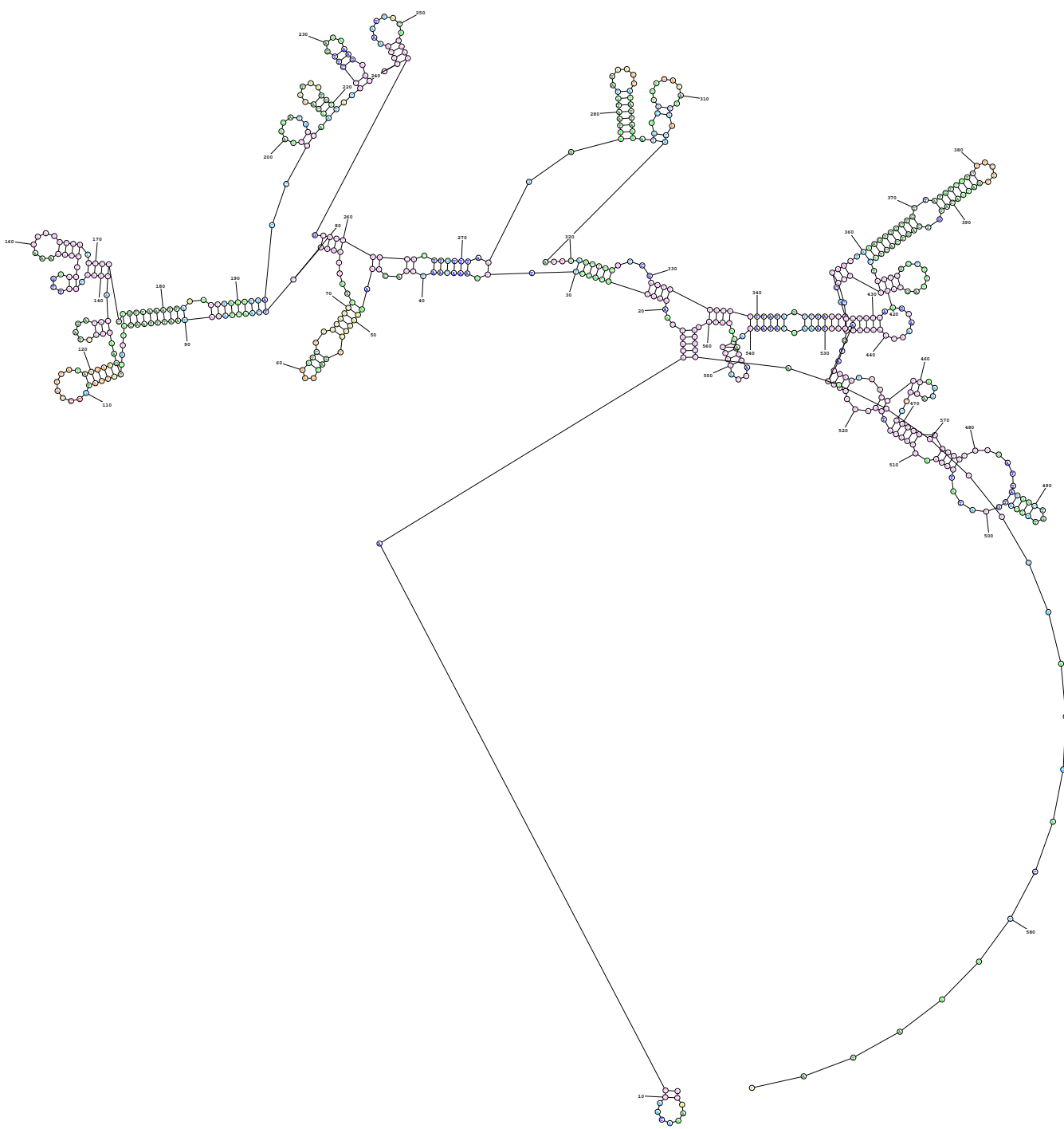
Probability >= 99%
99% > Probability >= 95%
95% > Probability >= 90%
90% > Probability >= 80%
80% > Probability >= 70%
70% > Probability >= 60%
60% > Probability >= 50%
50% > Probability

ENERGY = -66.3 03/29/26 14:53:38



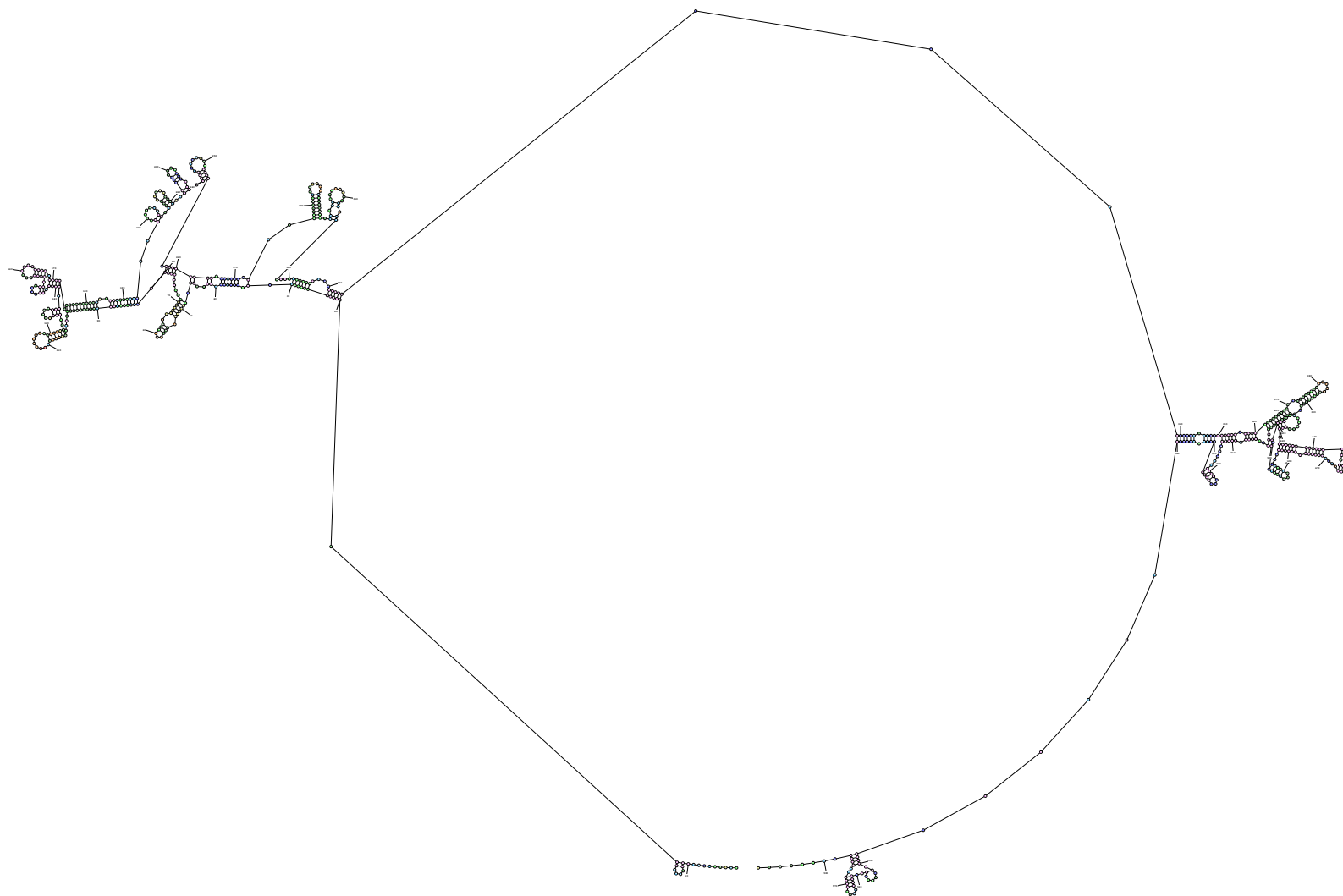
Probability >= 99%
99% > Probability >= 95%
95% > Probability >= 90%
90% > Probability >= 80%
80% > Probability >= 70%
70% > Probability >= 60%
60% > Probability >= 50%
50% > Probability

ENERGY = -66.3 03/29/26 14:53:38



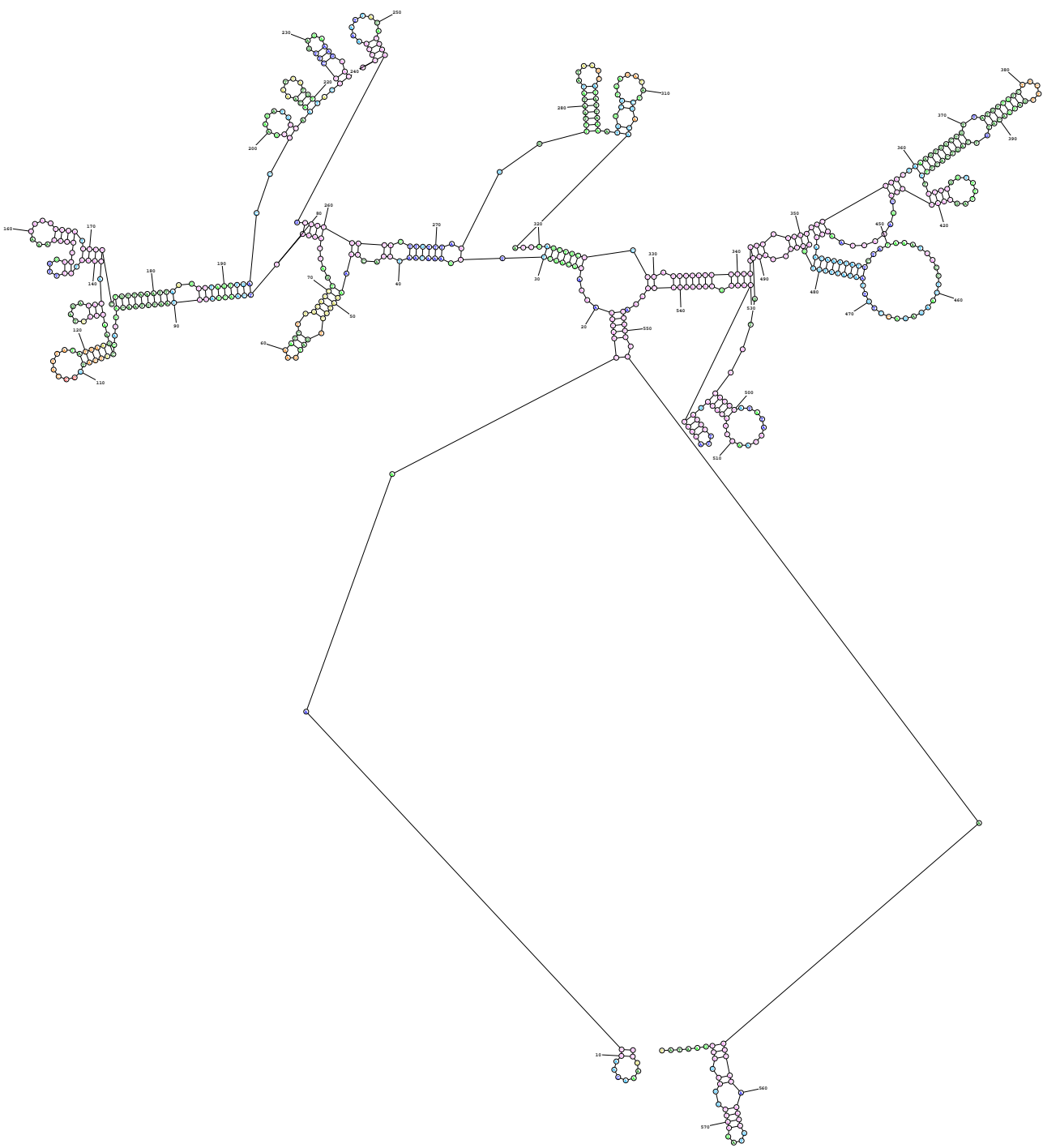
Probability >= 99%
99% > Probability >= 95%
95% > Probability >= 90%
90% > Probability >= 80%
80% > Probability >= 70%
70% > Probability >= 60%
60% > Probability >= 50%
50% > Probability

ENERGY = -66.3 03/29/26 14:53:38



Probability >= 99%
99% > Probability >= 95%
95% > Probability >= 90%
90% > Probability >= 80%
80% > Probability >= 70%
70% > Probability >= 60%
60% > Probability >= 50%
50% > Probability

ENERGY = -66.3 03/29/26 14:53:38



Probability >= 99%

99% > Probability >= 95%

95% > Probability >= 90%

90% > Probability >= 80%

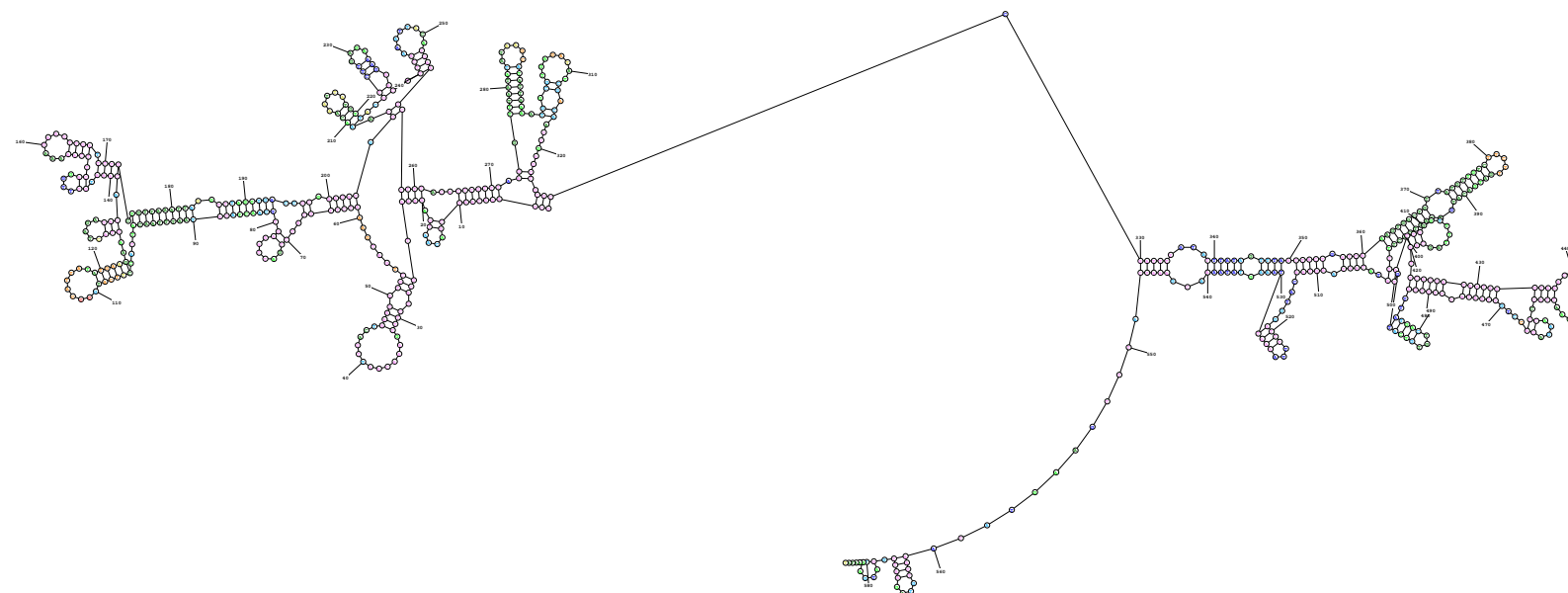
80% > Probability >= 70%

70% > Probability >= 60%

60% > Probability >= 50%

50% > Probability

ENERGY = -66.2 03/29/26 14:53:38



Probability >= 99%
99% > Probability >= 95%
95% > Probability >= 90%
90% > Probability >= 80%
80% > Probability >= 70%
70% > Probability >= 60%
60% > Probability >= 50%
50% > Probability

ENERGY = -66.2 03/29/26 14:53:38