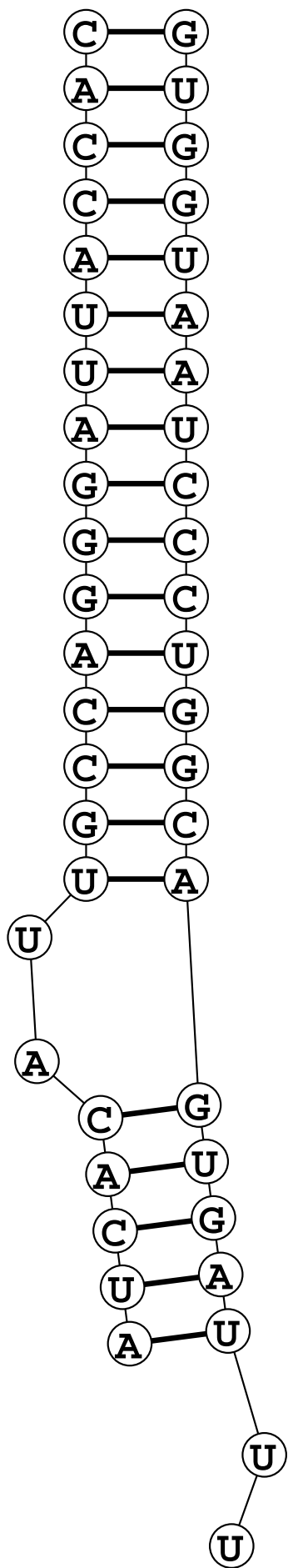


ENERGY = -36.2 miR-23b_ anti



ENERGY = -35.1 miR-23b_ anti